

# BT7523

## FLAT SCREEN WALL MOUNT WITH TILT FOR SCREENS UP TO 47"

Designed to mount medium sized screens, this wall mount is simple to install and features a tilt function that allows easy positioning of the screen. Integrated tilt function ensures effortless screen positioning, providing optimal viewing angles. Compatible with screens featuring VESA patterns up to 200 x 200mm, this compact and organized mounting solution is versatile enough for both commercial and residential settings.

### SPECIFICATIONS

Recommended screen size	up to <b>47"</b>
Max load	<b>25kg</b>
VESA® compatibility	up to <b>200 x 200</b>
Extension	<b>52mm</b>
Tilt (wall mounted)	<b>+/-15°</b>
Tilt (pole mounted)	<b>+/-40°</b>

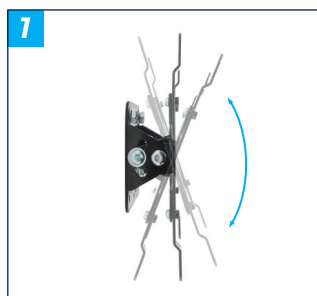


### FEATURES

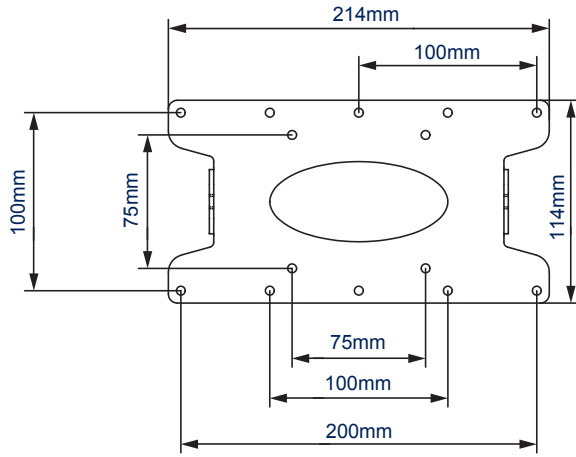
- 1 Easy tilt adjustment
  - 2 Mounts screen only 52mm from the wall
  - 3 Security screws and Allen key to prevent unauthorised removal of the screen
  - 4 Simple 'hook-on' installation
- Compatible with B-Tech System 2 & System X component ranges
  - Features 'OWLS' (On Wall Levelling System)
  - All mounting hardware included



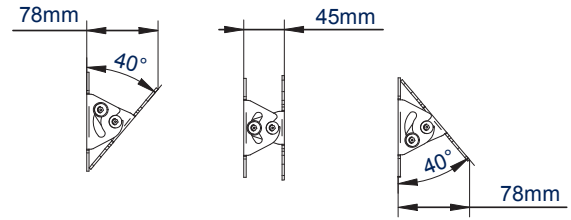
RECOMMENDED MAX SCREEN	MAX LOAD	MAX VESA	COLLAR COMPATIBLE	TILT	COMPATIBLE WITH SYSTEM X	QR CODE
47" 119cm	25kg	200		15° 15°		



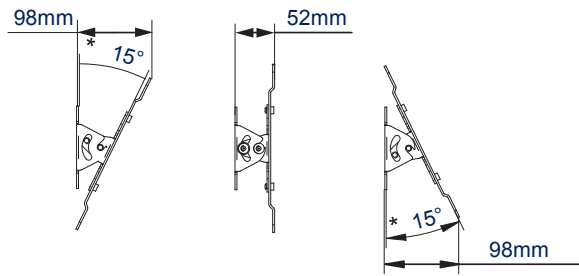
# BT7523



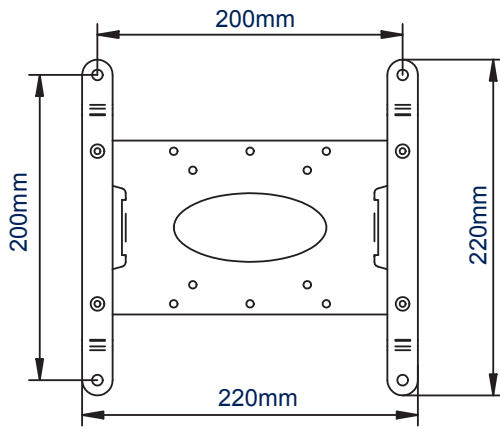
INTERFACE PLATE  
FRONT VIEW



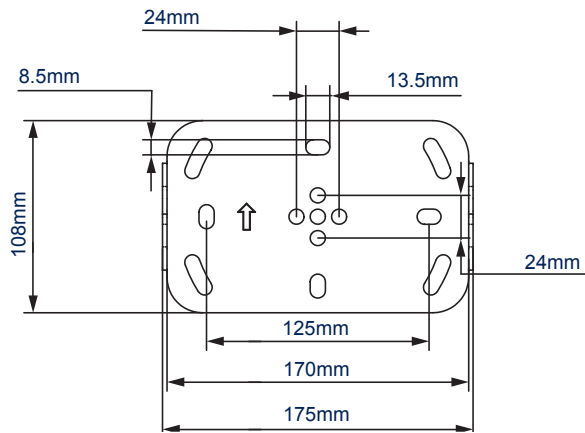
SIDE VIEW  
WITHOUT ADAPTOR ARMS



SIDE VIEW  
WITH ADAPTOR ARMS



INTERFACE PLATE WITH  
ADAPTOR ARMS  
FRONT VIEW



WALL PLATE  
FRONT VIEW

## ORDERING INFORMATION

COLOUR	ORDER REF	EAN
Black	BT7523/B	5019318752575

## RELATED PRODUCTS

PRODUCT CODE	NAME	DESCRIPTION
BT7532	Fixed Flat Screen Wall Mount	Ideal for screens up to 47" when tilt function is not required
BT7514	Single Arm Wall Mount with Tilt & Swivel	Ideal for screens up to 47", and features both tilt and swivel
BT7841	Accessory Collars	Accessory Collars allow the user to attach BT7523 to BT7850 Ø50mm Poles
BT7850	Ø50mm Poles	Available in a variety of lengths to create multiple pole-mounted solutions

© 2016 B-Tech AV Mounts Co. Ltd. All rights reserved.  
The information this specification sheet reflects the current technical specifications at the time of printing.  
We reserve the right to change the technical or physical specifications without prior notice. This B-Tech name and the B-Tech logo are registered trademarks of B-Tech AV Mounts Co. Ltd.  
B-Tech is not responsible for loss or damage caused by improper installation or mounting on unstable structures. Any reproduction or reuse of information or any part of this specification sheet is strictly prohibited unless prior written permission is granted by B-Tech AV Mounts Co. Ltd. 2016.

SS-V5-BT7523-060124