

# BT7532

## ULTRA-SLIM FLAT SCREEN WALL MOUNT

Designed to mount medium sized flat screens, the BT7532 is an ultra-slim, fixed wall mount that is easy to install and mounts the screen just 15mm from the wall. Suitable for screens up to 40kg, the wall plate features on wall levelling system to ensure a straight and smart installation and comes supplied with a security screw to help prevent unauthorized removal of the screen. The BT7532 is also compatible with B-Tech's range of poles and collars, increasing the number of different ways it can be mounted, ideal for commercial applications as well as home installations.




### SPECIFICATIONS

Recommended screen size	up to <b>47"</b>
Max load	<b>40kg</b>
VESA® & non-VESA fixings	up to <b>200 x 200</b>
Distance from wall	<b>15mm</b>

### FEATURES

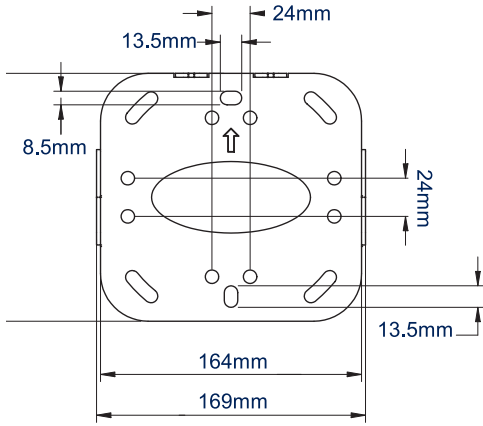
- 1 Ultra-slim design for a close to the wall installation
- 2 Features On Wall Levelling System
- 3 Includes security locking screws and Allen key
- 4 Compatible with B-Tech System 2 professional range
  - Mounts to B-Tech BT7850 poles using x2 BT7841/BT7052 Accessory Collars
  - Simple 'hook-on' installation
  - All mounting hardware included



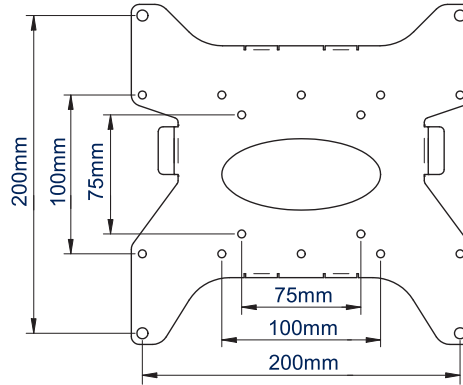
RECOMMENDED MAX SCREEN	MAX LOAD	MAX VESA	COLLAR COMPATIBLE	COMPATIBLE WITH SYSTEM X	QR CODE
47" 120cm	40kg	200			



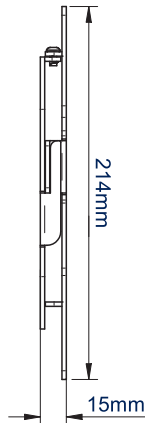
# BT7532



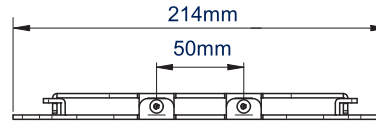
**FRONT VIEW**  
WALL PLATE



**FRONT VIEW**  
INTERFACE PLATE



**SIDE VIEW**  
WALL PLATE &  
INTERFACE PLATE



**TOP VIEW**  
WALL PLATE &  
INTERFACE PLATE

## ORDERING INFORMATION

COLOUR	ORDER REF	EAN
Black	BT7532/B	5019318753190

## RELATED PRODUCTS

PRODUCT CODE	NAME	DESCRIPTION
BT7523	Flat Screen Wall Mount With Tilt	For screens up to 47"
BT7822	Heavy Duty Floor / Ceiling Mount	Can be used with B-Tech poles and collars to create pole mounted solutions
BT7850	Ø50mm Poles	Available in different lengths up to 3m
BT7841	Accessory Collars	Attaches the mount to Ø50mm poles

© 2018 B-Tech AV Mounts Co. Ltd. All rights reserved.  
The information this specification sheet reflects the current technical specifications at the time of printing.  
We reserve the right to change the technical or physical specifications without prior notice. The B-Tech name and the B-Tech logo are registered trademarks of B-Tech AV Mounts Co. Ltd.  
B-Tech is not responsible for any loss or damage caused by improper installation or mounting on unsuitable structures. Any reproduction or reuse of information or specification of any part of this specification sheet is strictly prohibited unless prior written permission is granted by B-Tech AV Mounts Co. Ltd. 120618

SS-BT7532-060824