

HEAVY DUTY TWIN CANTILEVER ARM FLAT SCREEN WALL MOUNT WITH ULTRAGLIDE TILT & SWIVEL

Designed for large screens, this universal heavy duty twin cantilever arm wall mount combines strength and versatility with effortless usability. B-Tech's **UltraGlide Tilt** technology allows users to reposition displays up to 125kg with a simple touch, securely holding the tilt in place. Featuring three swivel points at the wall, arm and interface, the mount enables quick and smooth screen adjustments, whether folded flat against the wall or fully extended. Featuring cover plates and integrated cable management for a tidy mounting solution, the BT8228 is ideal for both commercial and home installations.



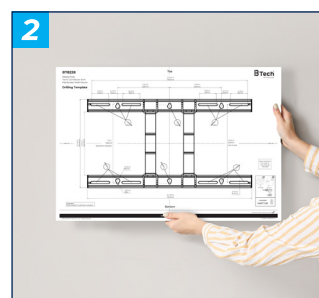
SPECIFICATIONS

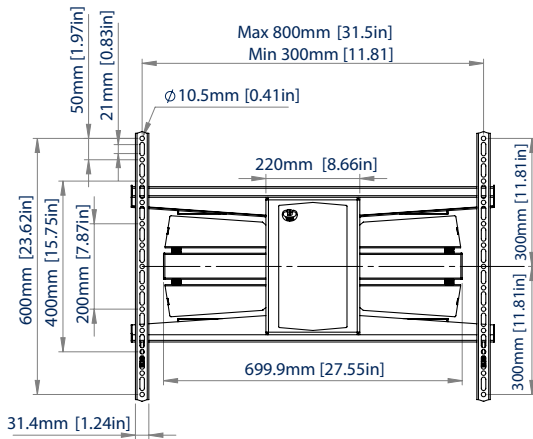
Recommended screen size	65" up to 120"
Max load	125kg
VESA® compatibility	300 x 200mm up to 800 x 600mm
Tilt	-3° / +15°
Swivel	180°
Distance from wall	Min: 90mm Max: 628mm

FEATURES

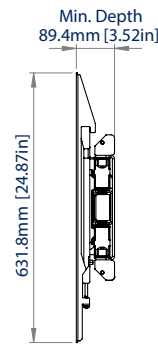
- 1 B-Tech's **UltraGlide Tilt** technology allows easy, secure screen adjustment
- 2 Printed template for wall drilling makes installation quick and easy
- 3 Integrated cable management
- 4 Attractive cover plates hide fixings
 - Easy tool-less tilt and swivel adjustments
 - Slim-line design allows close to the wall installation when folded flat
 - Suitable for portrait and landscape mounting
 - Lateral adjustment of the screen once mounted
 - Tool-less screen levelling
 - Keyhole mounting for a quick and easy installation
 - Safety screws help prevent unauthorised removal of screens
 - Simple 'hook-on' installation with all mounting hardware included
 - **100% plastic free packaging**

RECOMMENDED MAX SCREEN	MAX LOAD	MAX VESA	POST INSTALL ALIGNMENT	TILT	SWIVEL	PLASTIC FREE PACKAGING	QR CODE
120" 305cm	125kg	800 x 600		3° 15°	180°		

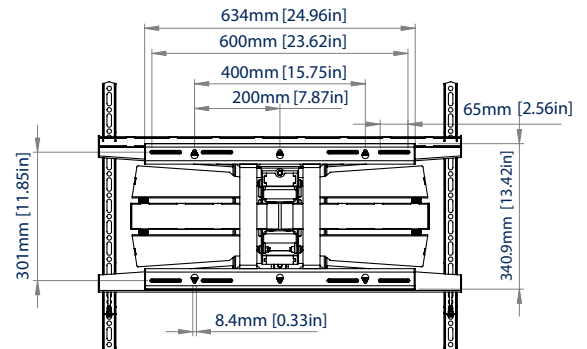




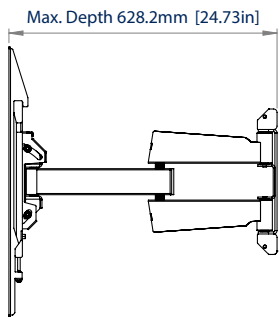
FRONT VIEW



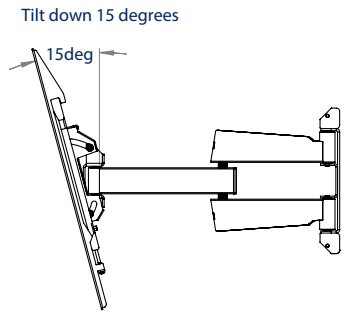
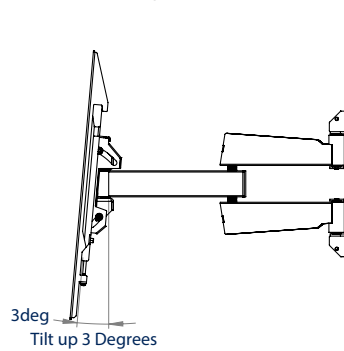
**SIDE VIEW
FLAT TO WALL**



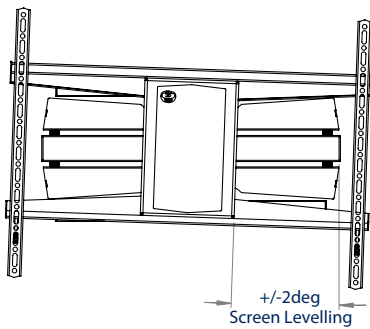
REAR VIEW



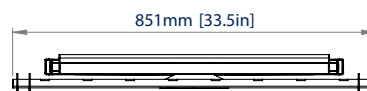
**SIDE VIEW
MAXIMUM EXTENSION**



**SIDE VIEW
TILT**



**FRONT VIEW
SCREEN LEVELLING**



**TOP VIEW
FLAT TO WALL**

ORDERING INFORMATION

COLOUR	ORDER REF	EAN
Black	BT8228/B	5019318307201

RELATED PRODUCTS

PRODUCT CODE	NAME	DESCRIPTION
BTV513	Double Arm Wall Mount	Features easy tilt and swivel, ideal for screens up to 55"
BT8226	Vantage Double Arm Wall Mount	Features easy tilt and swivel, ideal for screens up to 65"
BT8227	Vantage Twin Cantilever Wall Mount	Features easy tilt and swivel, ideal for screens up to 75"
BT8229	Vantage Double Arm Wall Mount	Features easy tilt and swivel, ideal for screens up to 65"

© 2018 B-Tech AV Mounts Co., Ltd. All rights reserved.
The information in this specification sheet reflects the current technical specifications at the time of printing.
We reserve the right to change the technical or physical specifications without prior notice. The B-Tech name and the B-Tech logo are registered trademarks of B-Tech AV Mounts Co., Ltd.
B-Tech is not responsible for any damage caused by improper installation or mounting on unstable structures. Any reproduction or use of information or specification of any part of this
specification sheet is strictly prohibited unless prior written permission is granted by B-Tech AV Mounts Co., Ltd. 2018.

SS-BT8228-240124