

BT8432

FLAT SCREEN WALL MOUNT WITH TILT FOR SCREENS UP TO 80"

Designed to mount large to extra-large screens, the BT8432 is a flat screen wall mount with a unique 'Torsion-Tilt' mechanism, allowing easy screen tilt adjustment up to +/-15°. Also suitable for pole mounting using B-Tech's Accessory Collars, the BT8432 features levelling screws to adjust the screen level post installation as well as locking screws which help prevent unauthorised removal of the screen.

SPECIFICATIONS

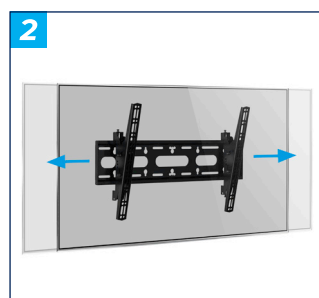
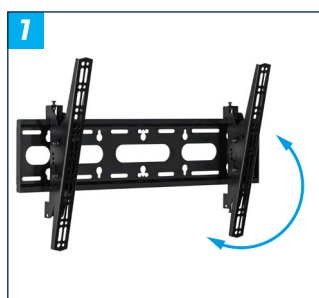
Recommended screen size	up to 80"
Max load	70kg*
VESA® & non-VESA fixings	up to 677 x 400mm
Tilt	+/-15°
Distance from wall (flat)	81mm
Distance from wall (full tilt)	138mm

FEATURES

- 1 Unique 'Torsion-tilt' mechanism for easy tool-less adjustment
 - 2 Lateral adjustment of the screen once mounted
 - 3 Levelling screws allow adjustment of screen height
 - 4 Security locking screws and Allen key to prevent unauthorised removal
- Keyhole mounting for easy installation
 - Collar compatible, ideal for pole mounting
 - Simple 'hook-on' installation with all mounting hardware included

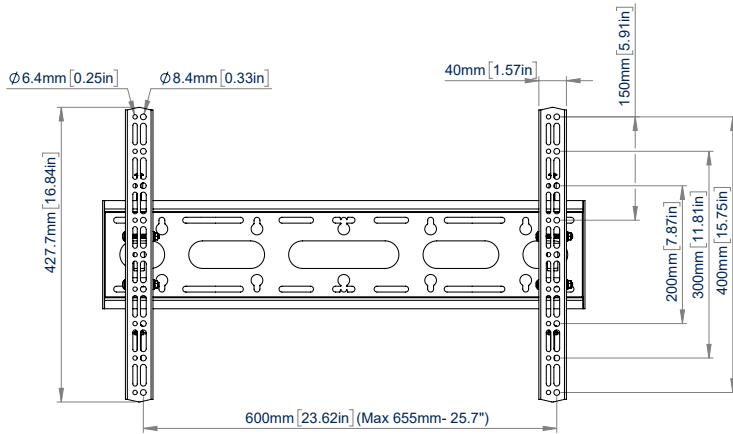


RECOMMENDED MAX SCREEN	MAX LOAD	MAX VESA	TILT	POST INSTALL ALIGNMENT	COLLAR COMPATIBLE	QR CODE
80" 203cm	70kg	600 x 400	15° 15°	← →	⬆ ⬇ ⬇ ⬆	

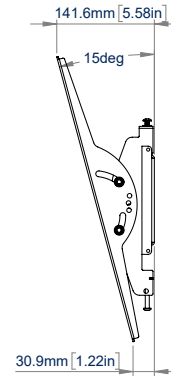


*Please note the maximum load is reduced to 50kg when pole mounted

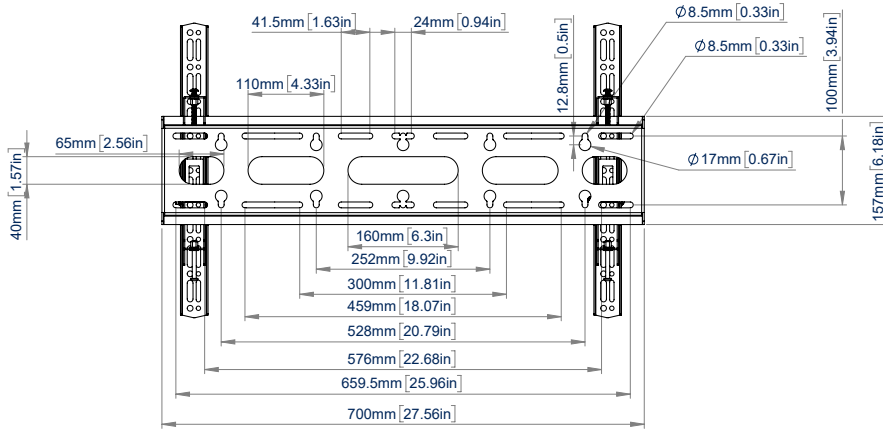
BT8432



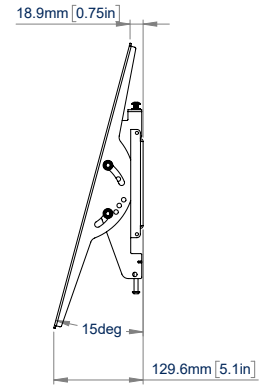
FRONT VIEW



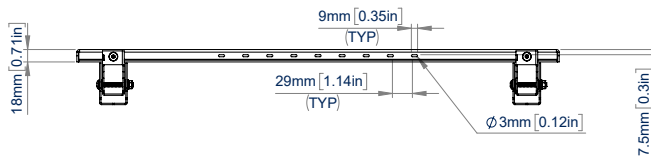
**SIDE VIEW
MAXIMUM TILT**



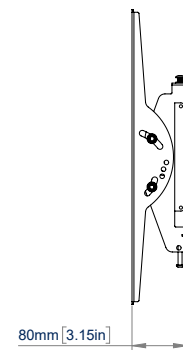
REAR VIEW



**SIDE VIEW
MINIMUM TILT**



TOP VIEW



SIDE VIEW

ORDERING INFORMATION

COLOUR	ORDER REF	EAN
Black	BT8432/B	5019318084294

RELATED PRODUCTS

PRODUCT CODE	NAME	DESCRIPTION
BT7822	System 2 Ceiling / Floor Mount	Designed to mount a BT7850 Ø50mm pole from the ceiling or floor
BT7850	System 2 Ø50mm Poles	Available in a variety of lengths to create multiple pole-mounted solutions
BT7841	System 2 Accessory Collar	Accessory Collars allow the user to attach a variety of mounts to Ø50mm Poles
BT8442	Flat Screen Wall Mount	Alternative mounting solution for screens up to 80" when tilt function is not required

© 2015 B-Tech AV Mounts Co., Ltd. All rights reserved.
The information in this specification sheet reflects the current technical specifications at the time of printing.
We reserve the right to change the technical or physical specifications without prior notice. This is not intended to be a contract.
B-Tech AV Mounts Co., Ltd. is not responsible for any damage caused by improper installation or mounting on unsuitable structures. Any reproduction or use without permission is prohibited.
Specification sheet is strictly confidential and may not be reproduced or used for any other purpose without the prior written permission of B-Tech AV Mounts Co., Ltd.

SS-BT8432-0601.24