

BT899XL

EXTRA-LARGE PROJECTOR CEILING MOUNT WITH MICRO-ADJUSTMENT

BT899XL is a universal projector ceiling mount designed to mount projectors up to 25kg. Compatible with B-Tech's System 2 professional range, this mount can be fitted flush to the ceiling or attached to BT7850 Ø50mm poles using the supplied pole adaptor. The Projector Mount is designed with easy adjustment of tilt, roll and swivel and optional micro-adjustment for short throw projectors making this mount the ideal solution for installing heavy duty projectors.



SPECIFICATIONS

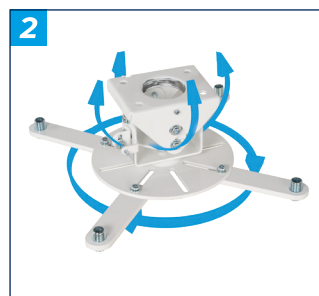
Max load	25kg
Tilt (pitch)	+/- 13°
Roll	+/- 6°
Yaw	360°
Ceiling drop	98.5mm
Max distance between fixings	493mm
Colour options	Black or White

FEATURES

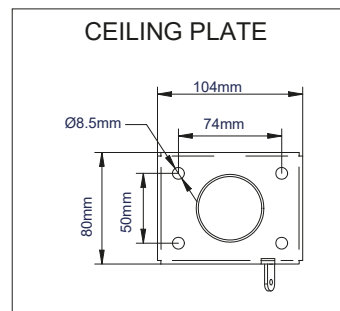
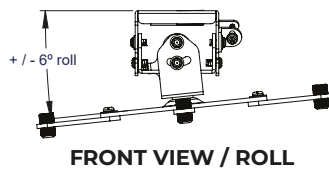
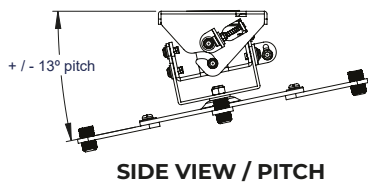
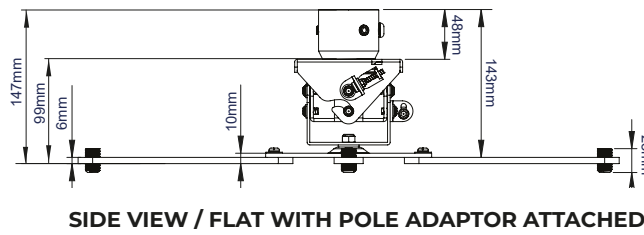
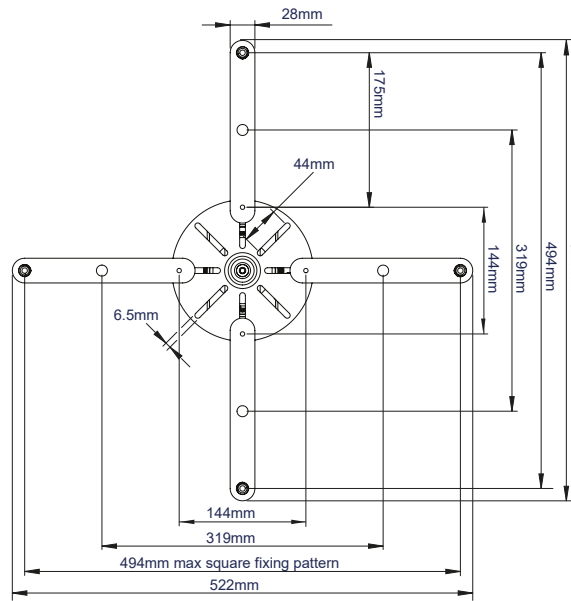
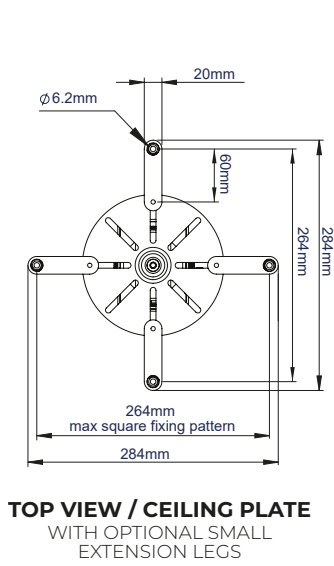
- 1** Unique 'carousel' mounting plate for universal compatibility
 - 2** Features easy tilt, roll and swivel functions
 - 3** Compatible with B-Tech System 2 poles and ceiling mounts
 - 4** Micro-adjustment feature is ideal for short throw projectors
- Can be mounted directly to the ceiling or onto a pole
 - The 52mm collar is compatible with 50mm (2") pole systems including B-Tech System 2 and 1.5" NPT pipe systems
 - Pre-assembled for simple three step installation
 - Integrated cable management for a smart installation
 - Security locking screws and Allen key provided for a secure installation
 - Suitable for projectors using M2.5, M3, M4, M5 and M6 fixings
 - All mounting hardware included



MAX LOAD	MICRO ADJUSTMENT	TILT	YAW	ROLL	COLOUR OPTIONS	QR CODE



BT899XL



ORDERING INFORMATION

COLOUR	ORDER REF	EAN
Black	BT899XL/B	5019318089657
White	BT899XL/W	5019318306181

RELATED PRODUCTS

PRODUCT CODE	NAME	DESCRIPTION
BT7850	Ø50mm Poles	Available in Black, White or Chrome and a variety of lengths
BT7822	Ceiling Mount	Securely fixes Ø50mm poles to the ceiling
BT7808	Ceiling Mount with Tilt	Ideal for mounting Ø50mm poles to angled ceilings
BT899	Projector Ceiling Mount with Micro-adjustment	Maximum distance between fixings 370mm

© 2018 B.Tech. AV Mounts Co. Ltd. All rights reserved.
 The information in this specification sheet reflects the current technical specifications at the time of printing.
 We reserve the right to change the technical or physical specifications without prior notice. The B.Tech. name and the B.Tech. logo are registered trademarks of B.Tech. AV Mounts Co. Ltd.
 B.Tech. is not responsible for any loss or damage caused by improper installation or mounting on unsuitable structures. Any reproduction or use without permission or registration of any part of this
 specification sheet is strictly prohibited unless prior written permission is granted by B.Tech. AV Mounts Co. Ltd. 10061.

SS-V2-BT899XL-170924