



5 FIXED
 TILT
 POSITIONS

BTV511

UNIVERSAL FLAT SCREEN WALL MOUNT WITH TILT

Designed to mount large sized screens the BTV511 is ideal for home installations. With 5 fixed tilt positions up to +15° available, this mount also features a simple 'hook-on' installation and post installation screen alignment making screen mounting as quick and simple as possible. The BTV511 includes a security locking bar to help prevent unauthorised removal of the screen. All fixings and mounting hardware included.

SPECIFICATION

Recommended screen size	up to 55"
Max load	50kg
VESA® & non-VESA fixings	up to 400 x 400
Tilt	+15°
Distance from wall	Flat: 44mm / Full Tilt: 153mm
Colour	Black

FEATURES

- 5 fixed tilt positions up to +15°
- Mounts screen only 44mm from wall when flat
- Lateral adjustment of screen once mounted
- Security locking bar to prevent unauthorised screen removal
- Suitable for concrete, brick or stud walls up to 16"
- Simple 'hook-on' installation
- All mounting hardware included



55" 140cm VESA 400 50KG 15°



5 fixed tilt positions



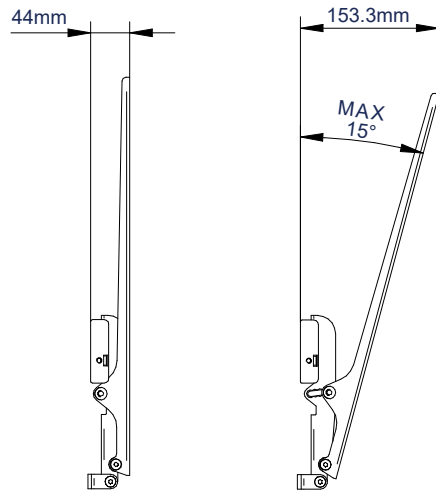
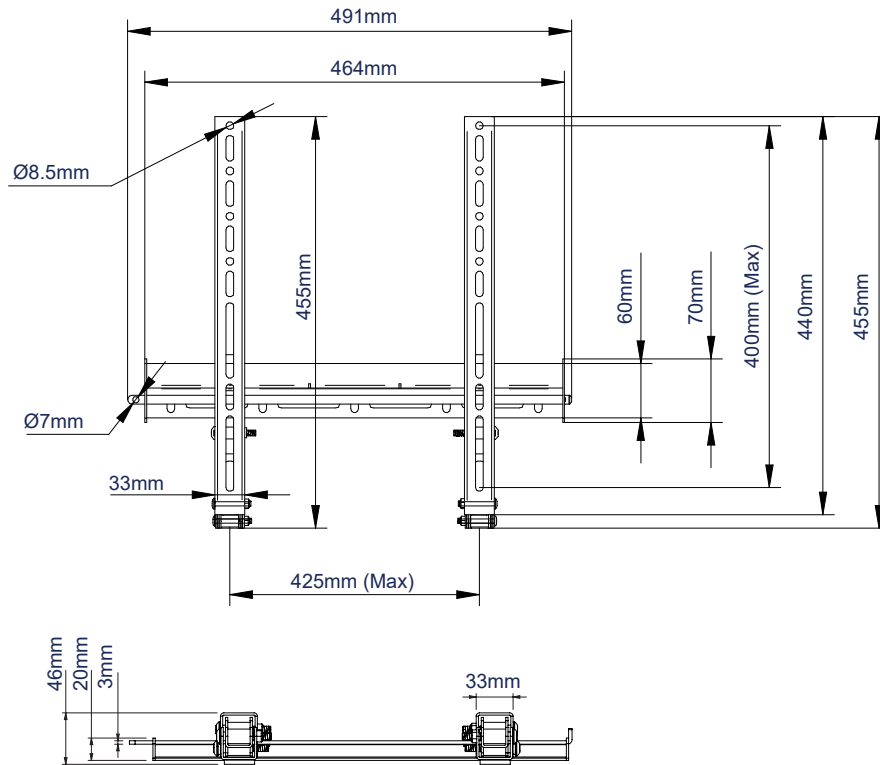
Locking bar for secure installation
 (padlock not included)



Supplied in retail packaging, ideal for the consumer market



All fixings and mounting hardware included



PACKING INFORMATION

COLOUR:	ORDER REF:	EAN CODE:	MASTER CARTON QTY:	INNER CARTON QTY:	MASTER CARTON WEIGHT:	MASTER CARTON CUBE:
Black	BTV511/B	5019318440090	6	N/A	15.63kg	0.037cbm

RELATED PRODUCTS

<p>BTV510</p>	<p>BT8431</p>	<p>BTV521</p>	<p>BTV514</p>
----------------------	----------------------	----------------------	----------------------

Extra-Large Flat Screen Wall Mount for screens up to 55"

Flat Screen Wall Mount with Tilt for screens up to 55"

Universal Flat Screen Wall Mount with Tilt for screens up to 65"

Double Arm Flat Screen Wall Mount with Tilt & Swivel for screens up to 60"

© 2016 B-Tech Consumer Products, Inc. All rights reserved. The information in this specification sheet reflects the current technical specifications as the time of print. We reserve the right to change the technical or physical specifications without prior notice. B-Tech Consumer Products, Inc. and B-Tech are registered trademarks of B-Tech International Design & Manufacturing Ltd. B-Tech is a registered trademark of B-Tech International Design & Manufacturing Ltd. All other trademarks are the property of their respective owners. Any reproduction or misrepresentation of any part of this specification is strictly prohibited unless prior written permission has been granted by B-Tech International Design & Manufacturing Ltd. (B-Tech).