

BTV513

FLAT SCREEN WALL MOUNT WITH DOUBLE ARM FOR SCREENS UP TO 55"

This ultra-slim wall mount with a double arm is designed for mounting large-sized screens. It includes a tilting interface and three swivel points, facilitating quick and easy repositioning of the screen—whether folded flat to the wall or at maximum extension. The mount has a cable management clip to neatly route cables along the double arm, ensuring a tidy installation. It's well-suited for both home installations and commercial applications.

SPECIFICATIONS

Recommended screen size	up to 55"
Max load	35kg
VESA® & non-VESA fixings	up to 426 x 400
Tilt	+ 10°/-2°
Swivel	180° (at wall)
Distance from wall	Min: 40mm - Max: 450mm



FEATURES

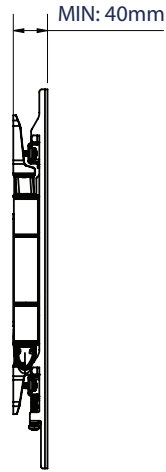
- 1 Ultra-slim design allows close to the wall installation when folded flat
 - 2 Easy tilt and swivel adjustment with extended reach
 - 3 3 swivel points: 180° at wall, 360° at central pivot and 240° at interface
 - 4 Integrated cable management
- Lateral adjustment of screen once mounted
 - Single stud mounting for easy installation
 - Levelling screws allow adjustment of screen height
 - Simple 'hook-on' installation with all mounting hardware included
 - Supplied in retail packaging

Ventry
range

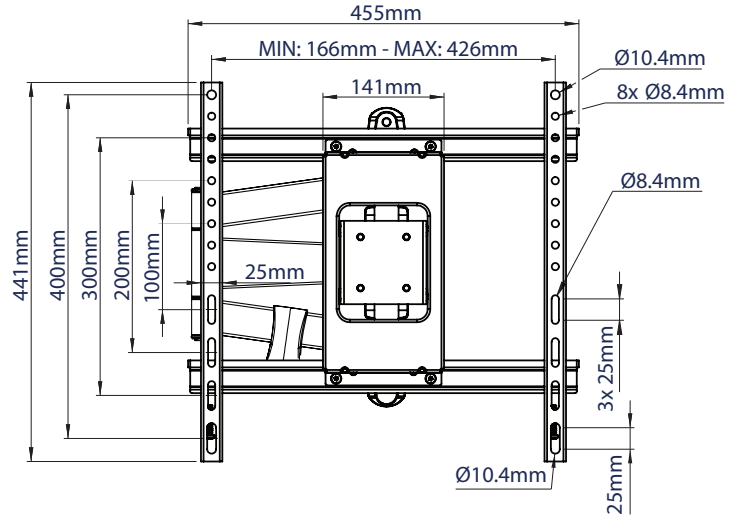
RECOMMENDED MAX SCREEN	MAX LOAD	MAX VESA	POST INSTALL ALIGNMENT	TILT	SWIVEL	QR CODE
55" 140cm	35kg	400				



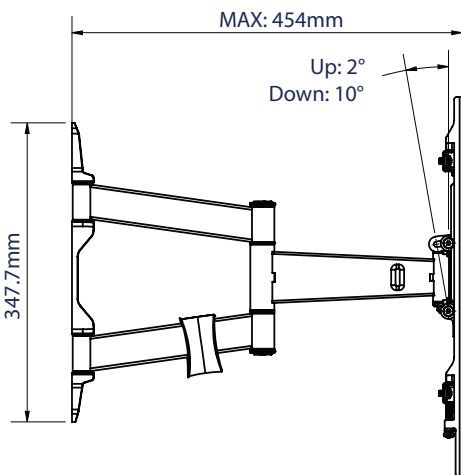
BTV513



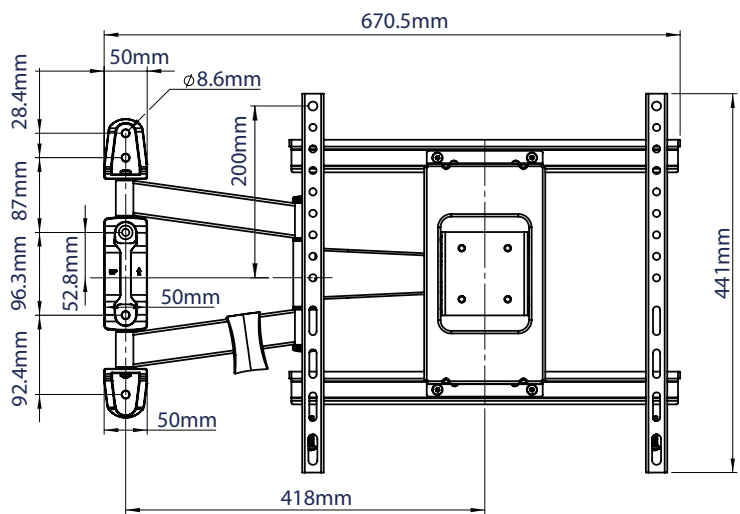
SIDE VIEW
ARM FLAT TO THE WALL



FRONT VIEW



SIDE VIEW
MAXIMUM EXTENSION



FRONT VIEW
WITH ARM EXTENDED TO SIDE

ORDERING INFORMATION

COLOUR	ORDER REF	EAN
Black	BTV513/B	5019318305078

RELATED PRODUCTS

PRODUCT CODE	NAME	DESCRIPTION
BT7564	VESA 600 x 400 Adaptor Arms	Allows VESA 200 and 400 fixings to be increased to VESA 600
BTV504	Double Arm Wall Mount	Features easy tilt and swivel, ideal for screens up to 47"
BT8226	Double Arm Wall Mount	Features easy tilt and swivel, ideal for screens up to 65"
BT8228	Heavy-Duty Double Arm Wall Mount	Features easy tilt and swivel, ideal for screens up to 120"

© 2015 B-Tech AV Mounts Co. Ltd. All rights reserved.
The information in this specification sheet reflects the current technical specifications at the time of printing.
We reserve the right to change the technical or physical specifications without prior notice. The B-Tech name and the B-Tech logo are registered trademarks of B-Tech AV Mounts Co. Ltd.
B-Tech is not responsible for loss or damage caused by improper installation or mounting on unsuitable structures. Any reproduction or reuse of information or images without the prior written permission of B-Tech AV Mounts Co. Ltd. is prohibited.

SS-BTV513-060124