



ELD3209-SNB-T11 32" ECO green transfective full color display

Litemax ECO Green Pixel display feature innovative, transfective technologies for the sustainable development of earth. ELD3209-SNB-T11 is super energy saving design delivers an ultra low power consumption, low energy consuming electronic and optional equip front light and light sensor features to reduce energy use. ECO Green Pixel displays can be widely used in applications like outdoor signal, digital retailing, education, transportation, and health.

Key Features

- Transfective LCD
- LED Backlight
- High Resolution 1920x1080
- Digital Light Sensor
- Ultra Low Power Consumption
- BL MTBF: 50,000 hours



Specifications

Model Name	ELD3209-SNB-T11
Description	32" Transfective LCD, LED Backlight, 1920x1080
Screen Size	32"
Display Area (mm)	696.96(H) x 392.04(V)
Resolution	1920x1080
Aspect Ratio	16:9
Contrast Ratio	168 : 1
Pixel Pitch (mm)	0.363(H) x 0.363 (V)
Pixel Pre Inch (PPI)	69
Color Saturation (NTSC)	11%
Display Colors	16.7M
Response Time (Typical)	20ms
Panel Interface	eDP
Input Interface	HDMI, DP
Input Power	DC12V
Power Consumption	7.5W (3W B/L Disable)
OSD Key	4 Keys (Power Switch, Menu, +, -)
OSD Control	Brightness, Color, Contrast, Auto Turing, H/V Position...etc
Dimensions (mm)	739.6x 459.6x 65.8
Bezel Size(U/B/L/R)	33.8/33.8/21.3/21.3
Weight (Net)	10.6Kg
Mounting	100 x 100 、 200 x 100 mm
Operating Temperature	-20 °C ~ 70 °C
Storage Temperature	-20 °C ~ 70 °C

ELD= Panel + LED Driving Board + AD Control Board + Chassis

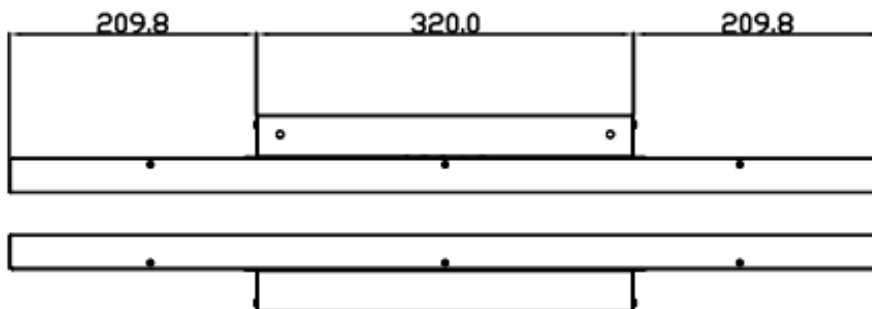
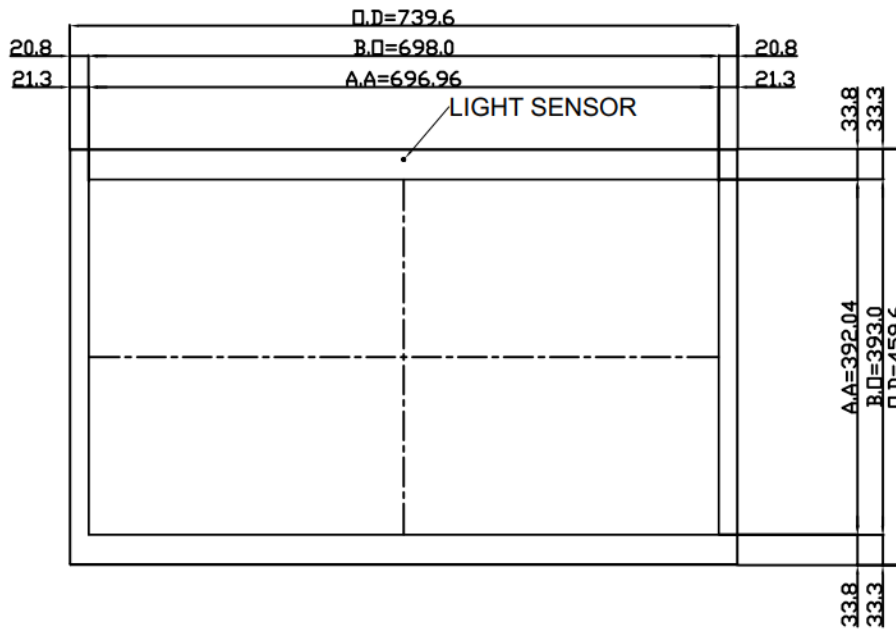
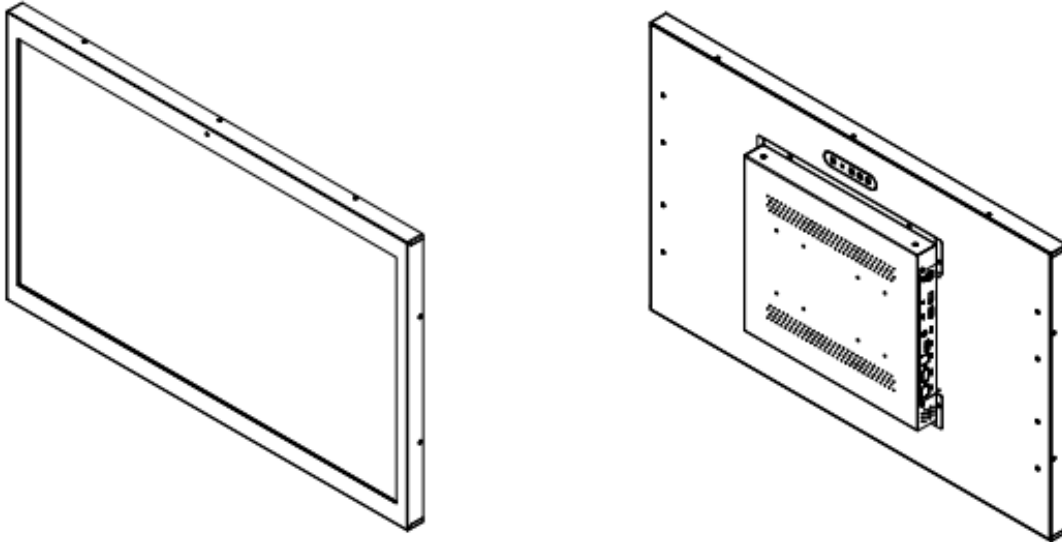
*Specifications are subject to change without notice.
All brands or product names are trademarks or registered trademarks of their respective companies.*

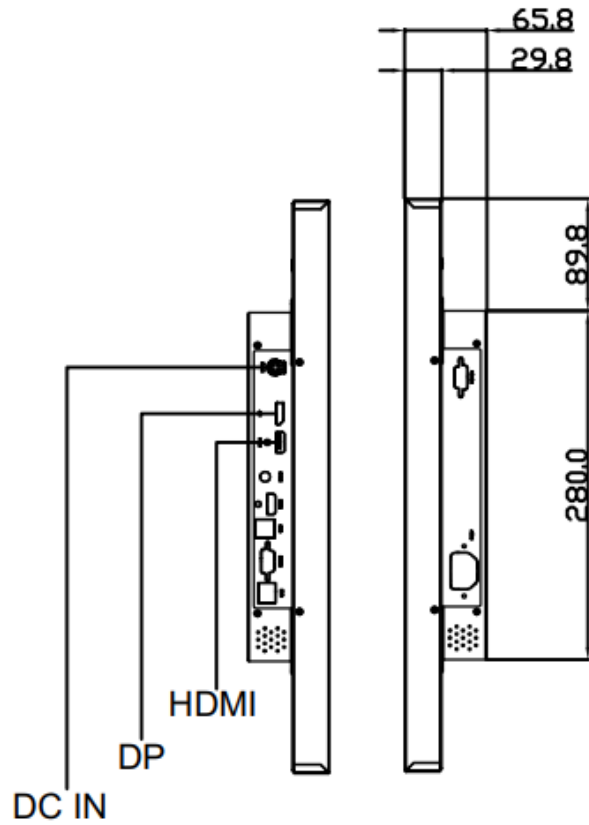
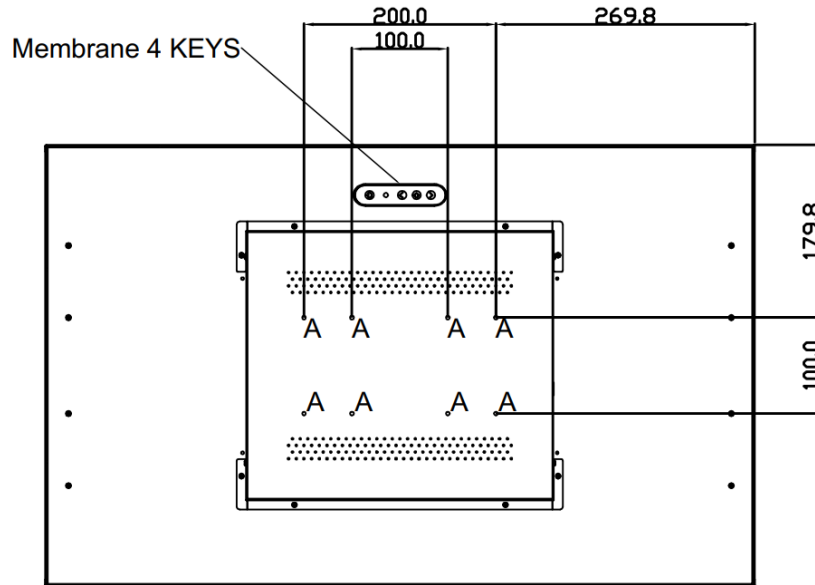


Mechanical Drawing

Outline Dimensions

Unit:mm





Note :

O.D : Outline Dimension

B.O : Bezel Opening

A.A : LCD Active Area

A:8-M4_USER_HOLE_MAX_DEPTH=7mm



Ordering Information

Part Number	Description
ELD3209-SNB-T11	32",1920x1080,Transflective,LID32B,AD68862HP,O/B,DLS,DC12V,3in1,V1

Optional Accessories

Part Number	Description
810618001005	CABLE,POWER,AC,3-Pin Plug,1800mm USA type
810618301070	CABLE,POWER,AC,3-Pin Plug,1830mm Europe type
810618301145	CABLE,POWER,AC,3-Pin Plug,1830mm Australia type
810618301191	CABLE,POWER,AC,3-Pin Plug,1830mm Japan type
810618301192	CABLE,POWER,AC,3-Pin Plug,1830mm UK type

Customer request

Glass	Tempered glass, AG coating, AR coating.....
Front Light	Front Light