



**SSD2805-A**  
**28" Resizing LCD, 1000 nits LED backlight, 1920 x360**

The SSD2805-A is a 28 inch color TFT-LCD display with high brightness 1000 nits and high color saturation. it produce sharp images, crisp text and lifelike colors. The Spanpixel LED backlight technology ensures high reliability and low power consumption, suitable for outdoor application, kiosk, factory automation, military, transportation and gaming application.

**Key Features**

- 28" Resizing LCD
- Ultra-Wide Screen (16 : 3)
- High Brightness 1000 nits
- LED Backlight
- Wide viewing angle 178°(H)~ 178°(V)
- Low Power Consumption
- BL MTBF: 30,000 hours



**Specifications**

<b>Model Name</b>	<b>SSD2805-A</b>
<b>Description</b>	28" Resizing LCD, 1000 nits LED backlight, 1920x360
<b>Screen Size</b>	28"
<b>Display Area (mm)</b>	698.40(H) x 130.95(V)
<b>Brightness</b>	1000 cd/m <sup>2</sup>
<b>Resolution</b>	1920x360
<b>Aspect Ratio</b>	16 : 3
<b>Contrast Ratio</b>	5400 : 1
<b>Pixel Pitch (mm)</b>	0.36375(H) x 0.36375(V)
<b>Pixel Per Inch (PPI)</b>	70
<b>Viewing Angle</b>	178°(H),178°(V)
<b>Color Saturation (NTSC)</b>	87%
<b>Display Colors</b>	16.7M
<b>Response Time (Typical)</b>	6.5ms
<b>Panel Interface</b>	LVDS
<b>Video Interface</b>	VGA, DVI-D, HDMI
<b>Input Power</b>	DC12V
<b>Power Consumption</b>	25.5W
<b>OSD Key</b>	4 Keys (Power Switch, Menu, +, -)
<b>OSD Control</b>	Brightness, Color, Contrast, Auto Turing, H/V Position...etc
<b>Dimensions (mm)</b>	737 x 170 x 57.9
<b>Bezel Size(U/B/L/R)</b>	19.5/19.53/19.3/19.3
<b>Mounting (mm)</b>	75x75, 400x75
<b>Weight (Net)</b>	5.4 kg
<b>Operating Temperature</b>	0 °C ~ 50 °C
<b>Storage Temperature</b>	-20 °C ~ 60 °C

**SSD= Panel + LED Driving Board + AD Control Board + Housing**

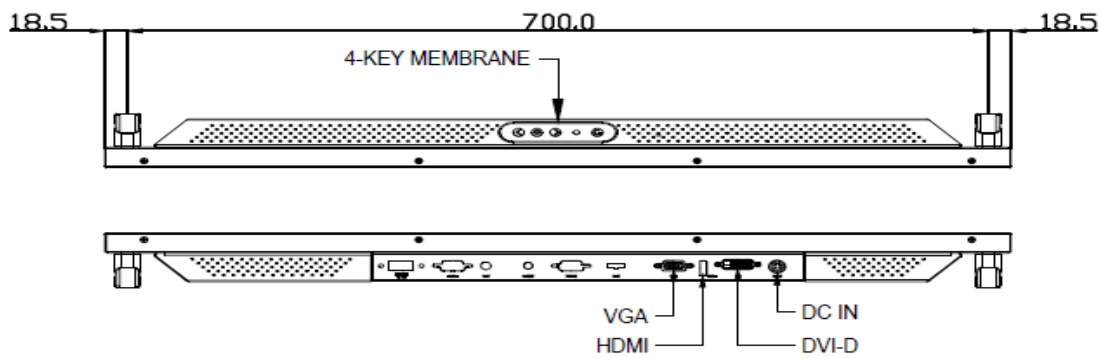
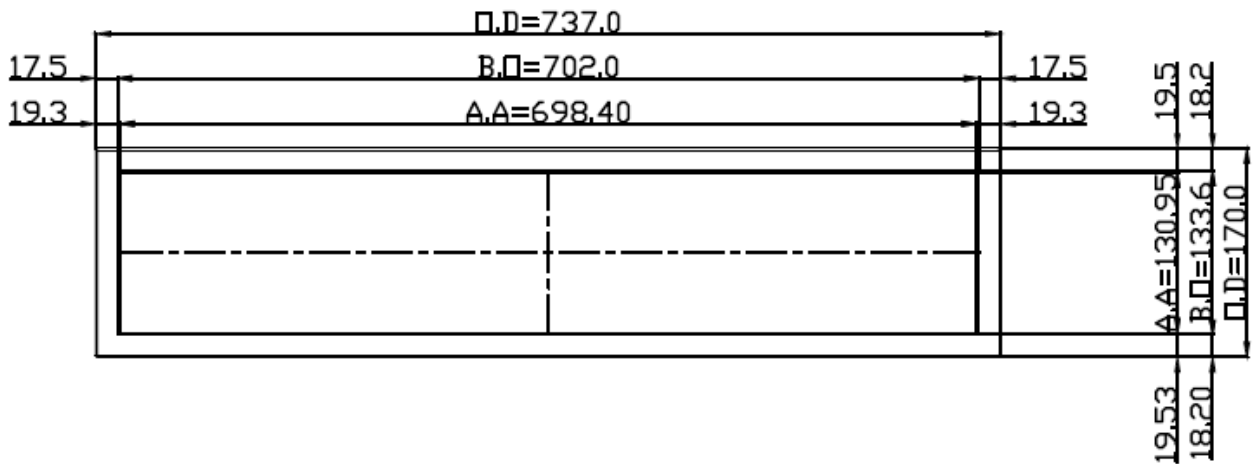
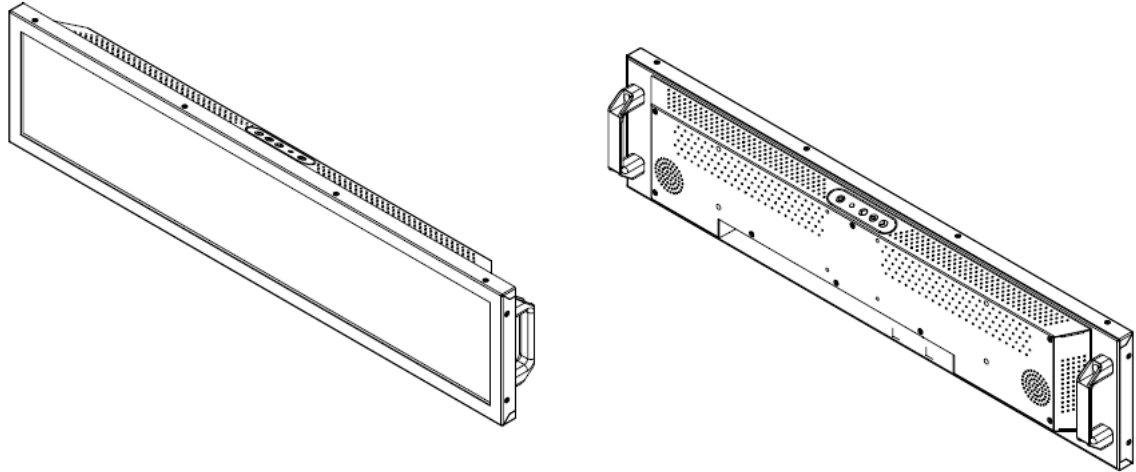
Specifications are subject to change without notice.  
 All brands or product names are trademarks or registered trademarks of their respective companies.

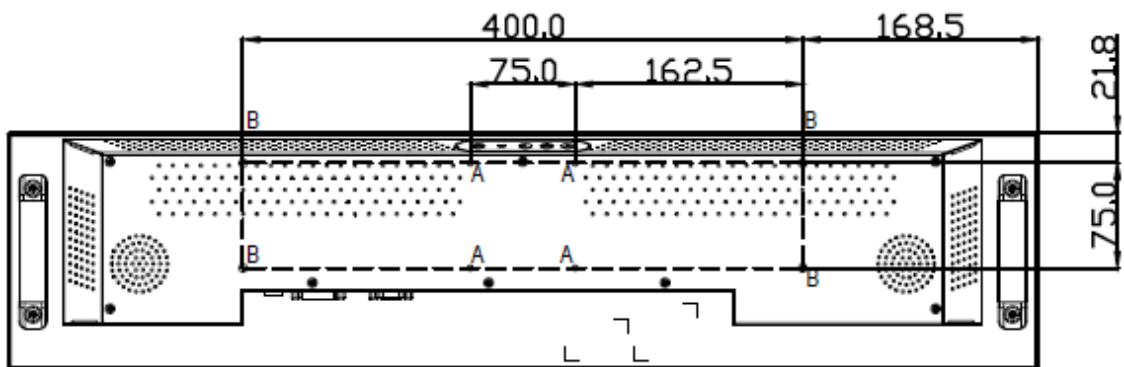
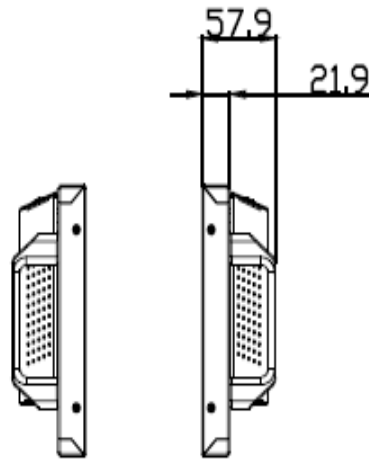


## Mechanical Drawing

### Outline Dimensions

Unit: mm





Note :

O.D. : OUTLINE DIMENSION

B.O. : BEZEL OPENING

A.A. : LCD ACTIVE AREA

A : 4-M4\_USER HOLE\_MAX DEPTH=4 mm

B : 4-M6\_USER HOLE\_MAX DEPTH=4 mm



### Ordering Information

Part Number	Description
SSD2805-ANB-Q11	28", 1000nits, 1920x360, P6.1, LID28C, AD8891GDH, O/B, DC12V, 3in1, V1

### Optional Accessories

Part Number	Description
810618301010	CABLE.POWER.AC.1830mm USA type
810618301090	CABLE,POWER,AC,1830mm Europe type
810618301050	CABLE.POWER.AC.1830mm UK type
810618301170	CABLE.POWER,AC,1830mm Australia type
810618301031	CABLE.POWER.AC.1830mm Japan type

### By Customer Request

Glass	Tempered glass, AR coating.....
Touch	PCT, SCT, Resistive.....