



## SSD2945-A

### 29.4" Resizing LCD, 1000 nits LED backlight, 1920 x 720

The SSD2945-A is a 29.4 inch color TFT-LCD display with high brightness 1000 nits and high color saturation. it produce sharp images, crisp text and lifelike colors. The Spanpixel LED backlight technology ensures high reliability and low power consumption, suitable for outdoor application, kiosk, factory automation, military, transportation and gaming application.

#### Key Features

- 29.4" Resizing LCD
- Ultra-Wide Screen (16 : 6)
- High Brightness 1000 nits
- LED Backlight
- Wide viewing angle 178°(H)~ 178°(V)
- Low Power Consumption
- BL MTBF: 100,000 hours



### Specifications

<b>Model Name</b>	<b>SSD2945-A</b>
<b>Description</b>	29.4" Resizing LCD, 1000 nits LED backlight, 1920x720
<b>Screen Size</b>	29.4"
<b>Display Area (mm)</b>	698.4(H) x 261.9(V)
<b>Brightness</b>	1000 cd/m <sup>2</sup>
<b>Resolution</b>	1920x720
<b>Aspect Ratio</b>	16 : 6
<b>Contrast Ratio</b>	5400 : 1
<b>Pixel Pitch (mm)</b>	0.36375(H) x 0.36375(V)
<b>Pixel Per Inch (PPI)</b>	70
<b>Viewing Angle</b>	178°(H),178°(V)
<b>Color Saturation (NTSC)</b>	87%
<b>Display Colors</b>	16.7M
<b>Response Time (Typical)</b>	6.5ms
<b>Panel Interface</b>	LVDS
<b>Video Interface</b>	HDMI, DP
<b>Input Power</b>	DC12V
<b>Power Consumption</b>	40W
<b>OSD Key</b>	4 Keys (Power Switch, Menu, +, -)
<b>OSD Control</b>	Brightness, Color, Contrast, Auto Turing, H/V Position...etc
<b>Dimensions (mm)</b>	738 x 305.2 x 61.9
<b>Bezel Size(U/B/L/R)</b>	24/19.3/19.8/19.8
<b>Mounting (mm)</b>	75x75, 400x75
<b>Weight (Net)</b>	6.8 kg
<b>Operating Temperature</b>	0 °C ~ 50 °C
<b>Storage Temperature</b>	-20 °C ~ 60 °C

SSD= Panel + LED Driving Board + AD Control Board + Housing

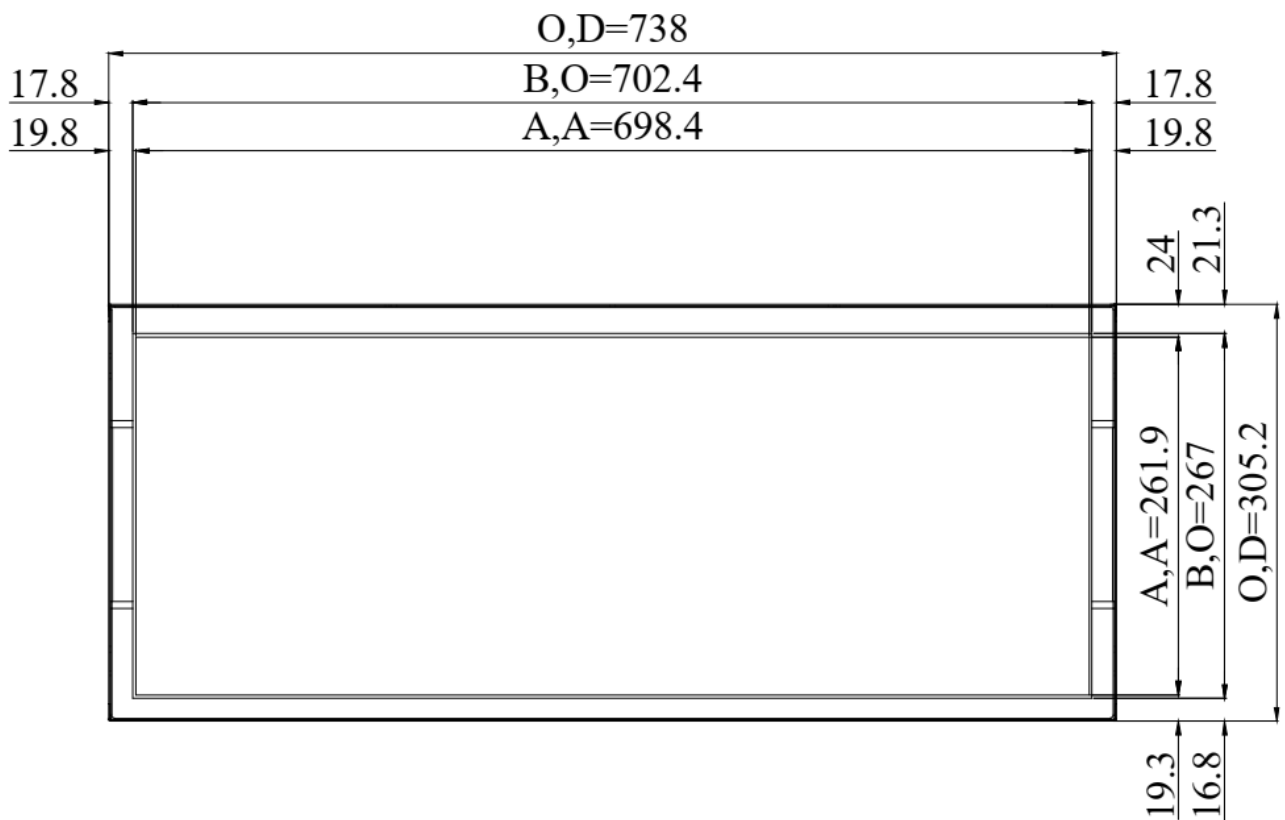
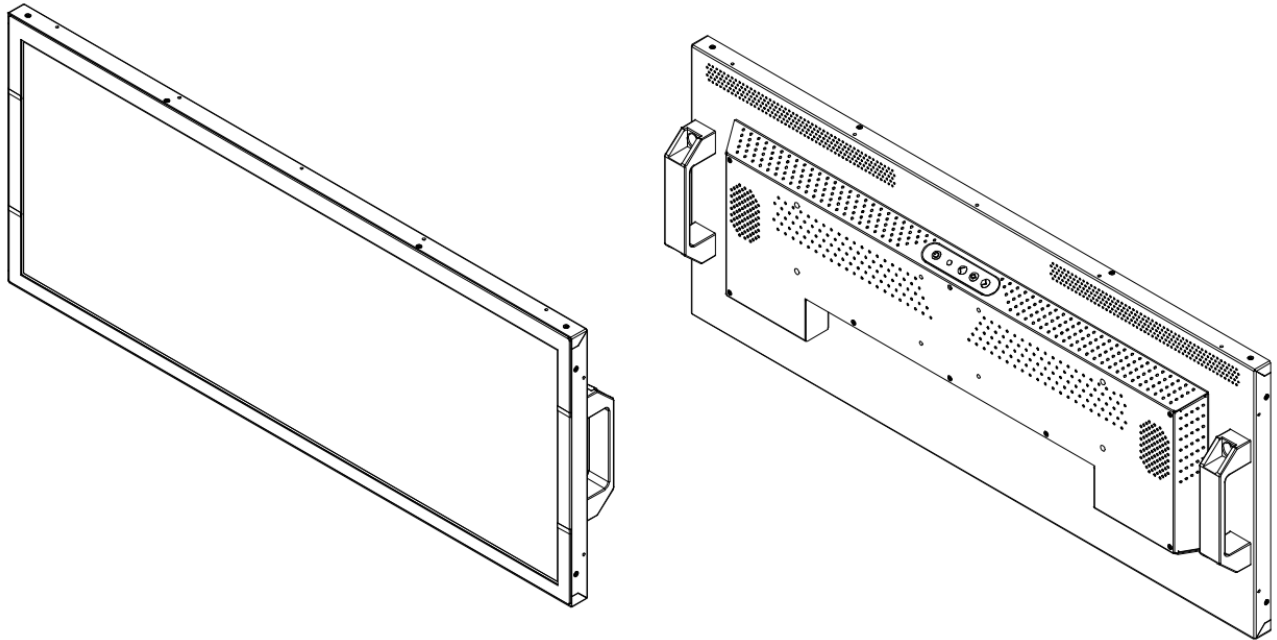
Specifications are subject to change without notice.  
All brands or product names are trademarks or registered trademarks of their respective companies.

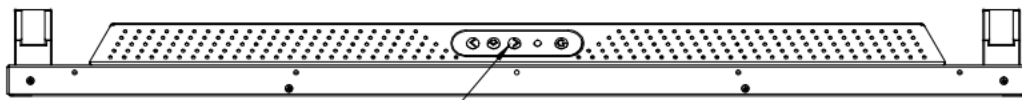


## Mechanical Drawing

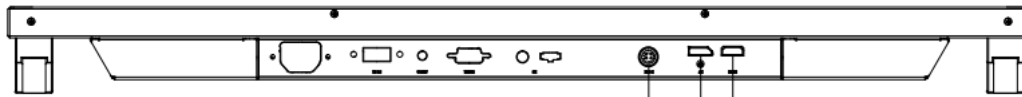
### Outline Dimensions

Unit: mm

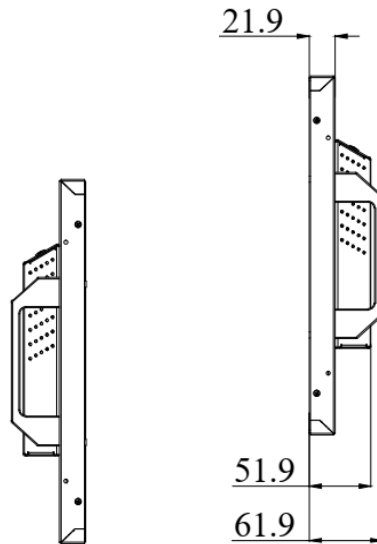




MEMBRANE 4-KEY



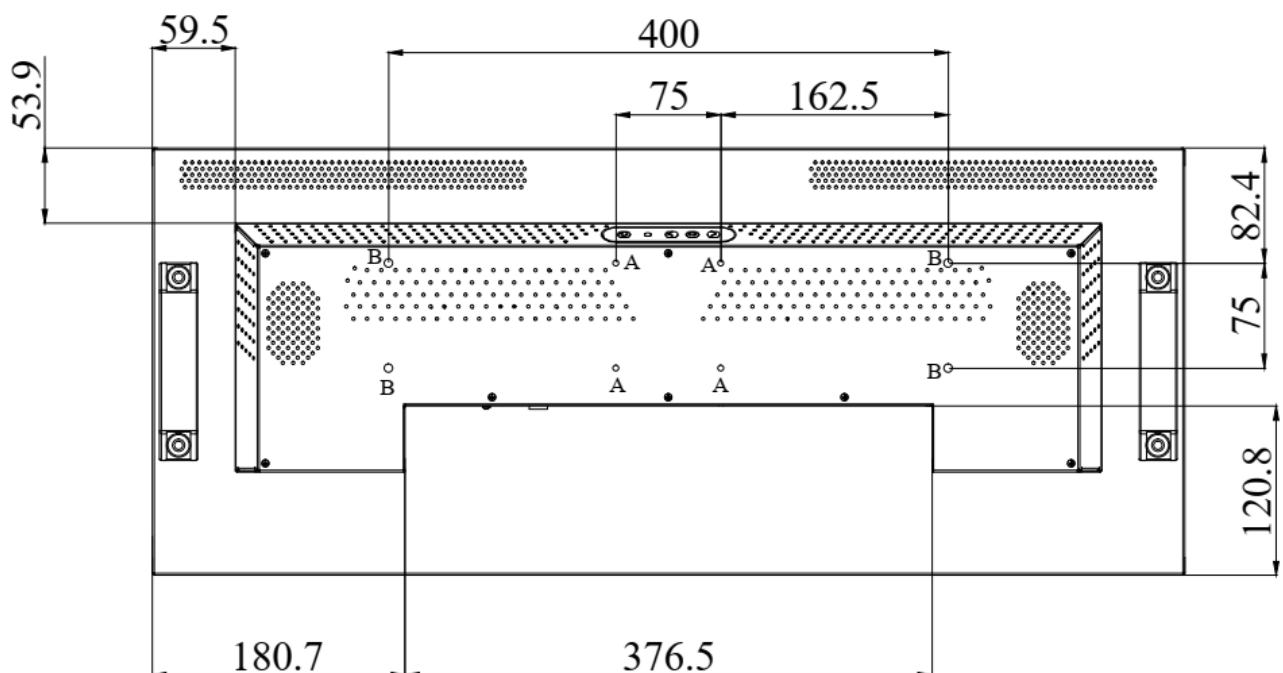
HDMI  
DP  
DC IN



21.9

51.9

61.9



53.9

59.5

400

75

162.5

82.4

75

120.8

180.7

376.5

B

B

A

A

A

A

B

B



**NOTE :**

O.D. : OUTLINE DIMENSION

B.O. : BEZEL OPENING

A.A. : LCD ACTIVE AREA

A : 4-M4\_VESA HOLE\_Max Depth=5 mm

B : 4-M6\_VESA HOLE\_Max Depth=7 mm

All mechanical parts are with black painted

**Ordering Information**

Part Number	Description
<b>SSD2945-ANB-T11</b>	29.4", 1000nits, 1920x720, LID29C, AD68862HP, O/B, DC12V, 3in1, V1

**Optional Accessories**

Part Number	Description
<b>840612051212</b>	ADAPTER, AC/DC, 12V/5A, 60W, Power-Din-4P, CWT, G99-ABF060F-N022, Efficiency-level-6, R
<b>810618301010</b>	CABLE.POWER.AC.1830mm USA type
<b>810618301090</b>	CABLE, POWER, AC, 1830mm Europe type
<b>810618301050</b>	CABLE.POWER.AC.1830mm UK type
<b>810618301170</b>	CABLE.POWER, AC, 1830mm Australia type
<b>810618301031</b>	CABLE.POWER.AC.1830mm Japan type

**By Customer Request**

<b>Glass</b>	Tempered glass, AR coating.....
<b>Touch</b>	PCT, SCT, Resistive.....