



SSF/SSH1875-BNW

18.7" Resizing LCD, 1000 nits LED backlight, 1920x146, MaxRGB

The [SSF/SSH1875-BNW](#) is a 18.7 inch industrial grade sunlight readable LCD, with high brightness 1000 nits and high color saturation, it produce sharp images, crisp text and lifelike colors. The Spanpixel LED backlight technology ensures high reliability and low power consumption, suitable for outdoor application, kiosk, factory automation, military, transportation and gaming application.

Key Features

- Resizing LCD
- Ultra-Wide Screen (16 : 1.2)
- High Brightness 1000 nit
- High Color Saturation
- Wide viewing angle 178°(H)~ 178°(V)
- Low Power Consumption
- BL MTBF: 100,000 hours



Specifications

Model Name	SSF/SSH1875-BNW
Description	18.7" Resizing LCD, 1000 nits LED backlight, MaxRGB, 1920x146
Screen Size	18.7"
Display Area (mm)	476.064(H) x 36.201(V)
Brightness	1000 cd/m ²
Resolution	1920x146
Aspect Ratio	16 : 1.2
Contrast Ratio	1300 : 1
Pixel Pitch (mm)	0.248(H) x 0.248(V)
Pixel Per Inch (PPI)	102
Viewing Angle	178°(H),178°(V)
Color Saturation (NTSC)	92%
Display Colors	16.7M
Response Time (Typical)	20ms
Panel Interface	LVDS
Video Interface	DP
Input Power	DC12V
Power Consumption	8W, (9.7W with AD board)
OSD Key	4 Keys (Power Switch, Menu, +, -)
OSD Control	Brightness, Color, Contrast, Auto Turing, H/V Position...etc
Dimensions (mm)	497x 54.4 x 13.76
Bezel Size(U/B/L/R)	10.45/7.649/10.468/10.468
Weight (Net)	0.8kg
Operating Temperature	0 °C ~ 50 °C
Storage Temperature	-20 °C ~ 60 °C

SSF= Panel + LED Driving Board

SSH= Panel + LED Driving Board + AD Control Board

Specifications are subject to change without notice.

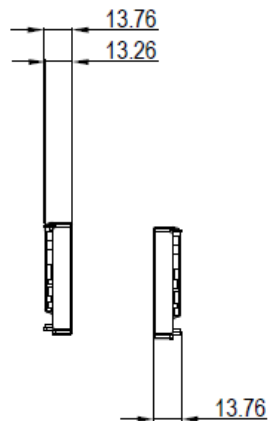
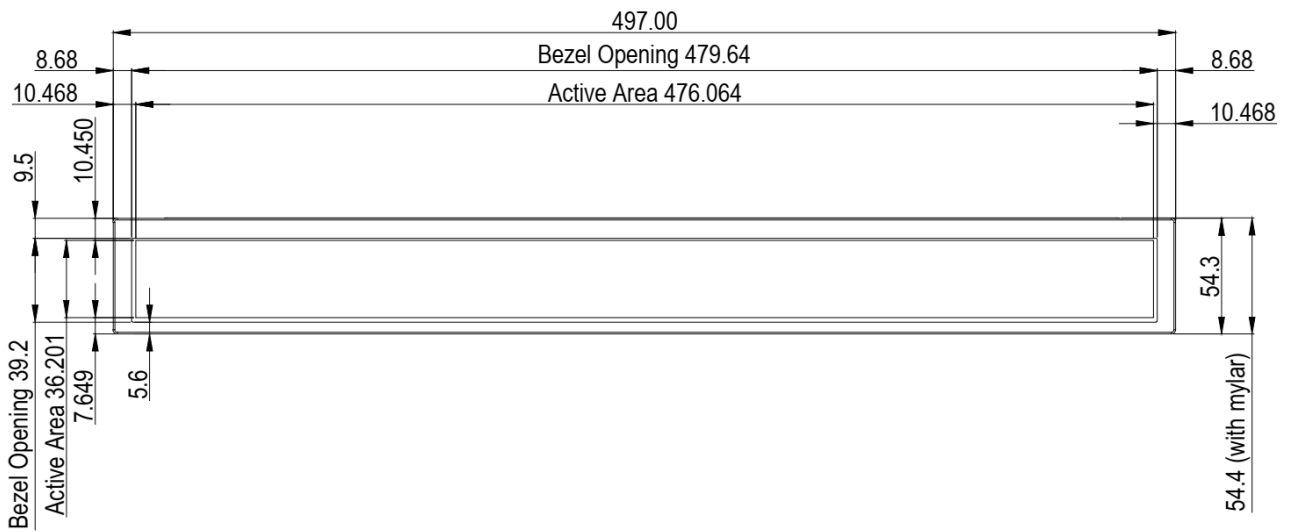
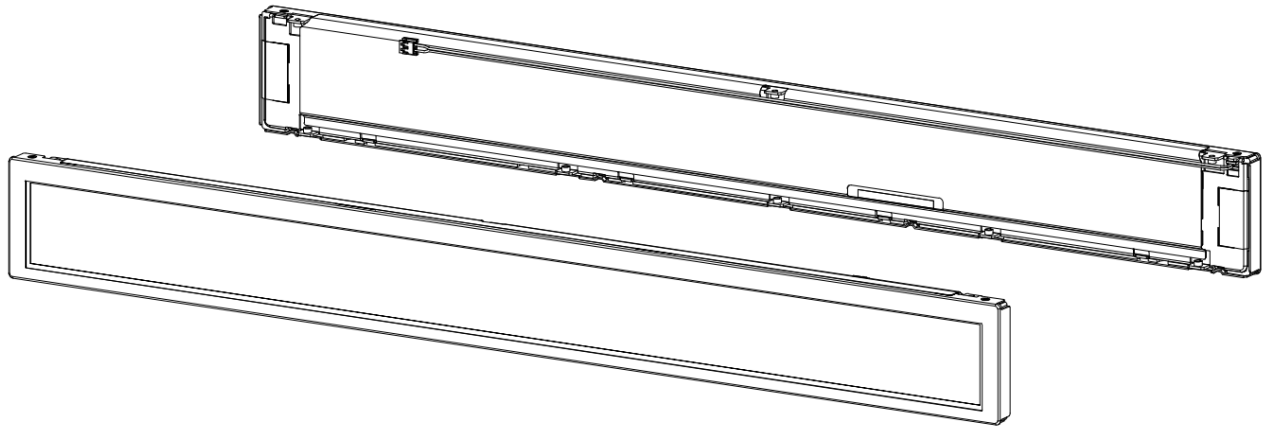
All brands or product names are trademarks or registered trademarks of their respective companies.

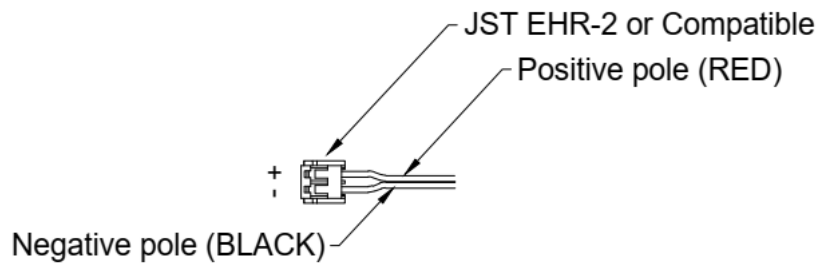
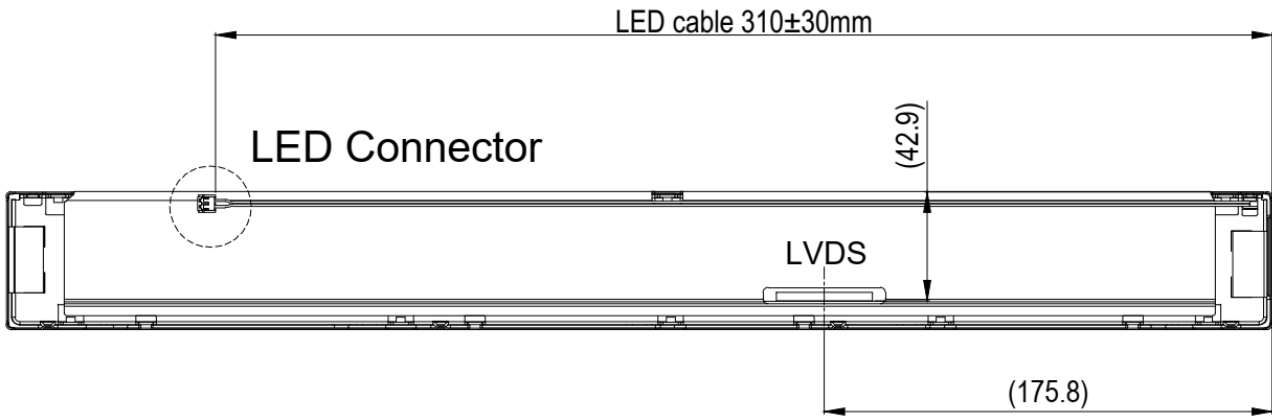
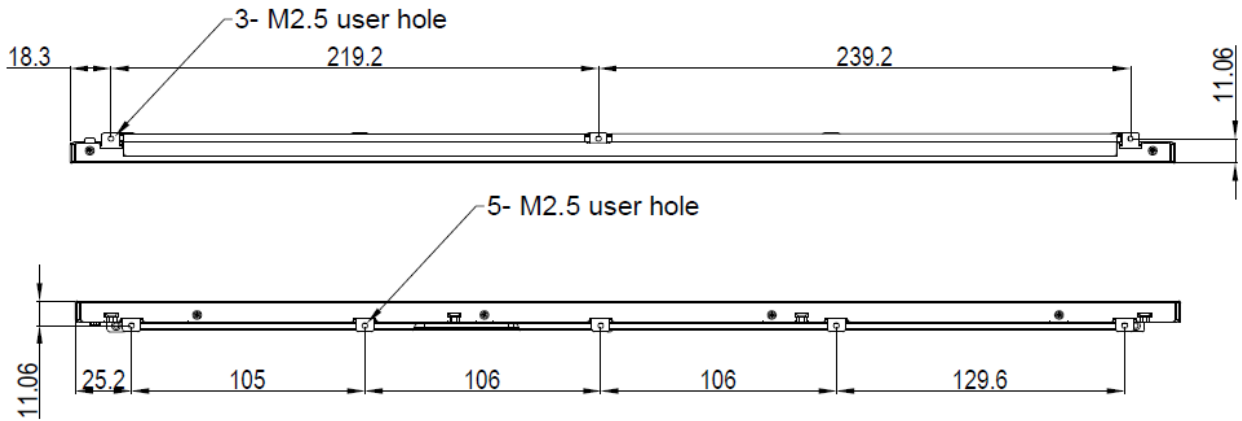


Mechanical Drawing

Outline Dimensions

Unit:mm





LED Connector View

Note:

1. Resolution: 1920x146
2. Tolerance is ±0.5mm unless noted
3. "()"marks the reference dimensions



Ordering Information

Part Number	Description
SSF1875-BNW-A11	18.7",1000nits,1920*146,MaxRGB,LID18C,10in1,V1
SSH1875-BNW-Q11	18.7",1000nits,1920*146,MaxRGB,AD8891P w/LID,DC12V,10in1,V1

Optional Accessories

Part Number	Description
840612051104	ADAPTER.12V.5A.60W.G99-CAD060F-N001,DC Plug,2.1*5.5mm,P
800400603001	CABLE,POWER,DC,200mm,UL1185.MOLEX 4.2mm 4P TO DC JACK,ATI,R
810618301010	CABLE.POWER.AC.1830mm USA type
810618301090	CABLE,POWER,AC,1830mm Europe type
810618301050	CABLE.POWER.AC.1830mm UK type
810618301170	CABLE.POWER,AC,1830mm Australia type
810618301031	CABLE.POWER.AC.1830mm Japan type

Customer request

Touch	PCT (Multi-Touch)
Glass	Tempered glass, AR coating.....