



## SSF/SSH2445-MNW

### 24.4" Resizing LCD, 800 nits LED backlight, MaxRGB , 1920 x 540

The **SSF/SSH2445-MNW** is a 24.4 inch color TFT-LCD display with high brightness 800 nits and high color saturation. it produce sharp images, crisp text and lifelike colors. The Spanixel LED backlight technology ensures high reliability and low power consumption, suitable for outdoor application, kiosk, factory automation, military, transportation and gaming application.

#### Key Features

- 24.4" Resizing LCD
- Ultra-Wide Screen (16 : 4.5)
- High Brightness 800 nits
- LED Backlight
- High Color Saturation
- Wide viewing angle 178°(H)~ 178°(V)
- Low Power Consumption
- BL MTBF: 100,000 hours



### Specifications

Model Name	SSF/SSH2445-MNW
Description	24.4" Resizing LCD, 800 nits LED backlight, MaxRGB, 1920x540
Screen Size	24.4"
Display Area (mm)	597.6(H) x 168.075(V)
Brightness	800 cd/m <sup>2</sup>
Resolution	1920x540
Aspect Ratio	16 : 4.5
Contrast Ratio	4000 : 1
Pixel Pitch (mm)	0.31125(H) x 0.31125(V)
Pixel Per Inch (PPI)	81
Viewing Angle	178°(H),178°(V)
Color Saturation (NTSC)	90%
Display Colors	16.7M
Response Time (Typical)	20ms
Panel Interface	LVDS
Video Interface	HDMI, DP
Input Power	DC12V
Power Consumption	28.7W (with AD Board 31.7W)
OSD Key	4 Keys (Power Switch, Menu, +, -)
OSD Control	Brightness, Color, Contrast, Auto Turing, H/V Position...etc
Dimensions (mm)	615.3 x 195.38 x 15.65
Bezel Size(U/B/L/R)	14.9/12.4/8.85/8.85
Weight (Net)	1.5 kg
Operating Temperature	0 °C ~ 50 °C
Storage Temperature	-20 °C ~ 60 °C

**SSF**= Panel + LED Driving Board

**SSH**= Panel + LED Driving Board + AD Control Board

*Specifications are subject to change without notice.*

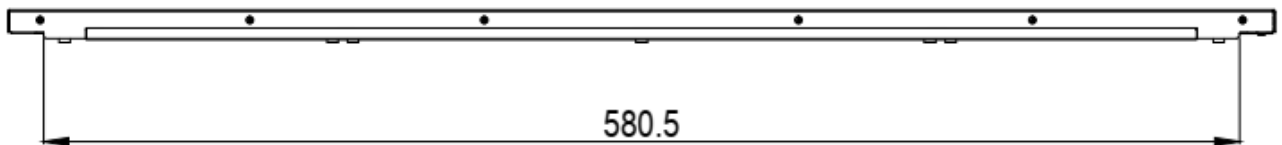
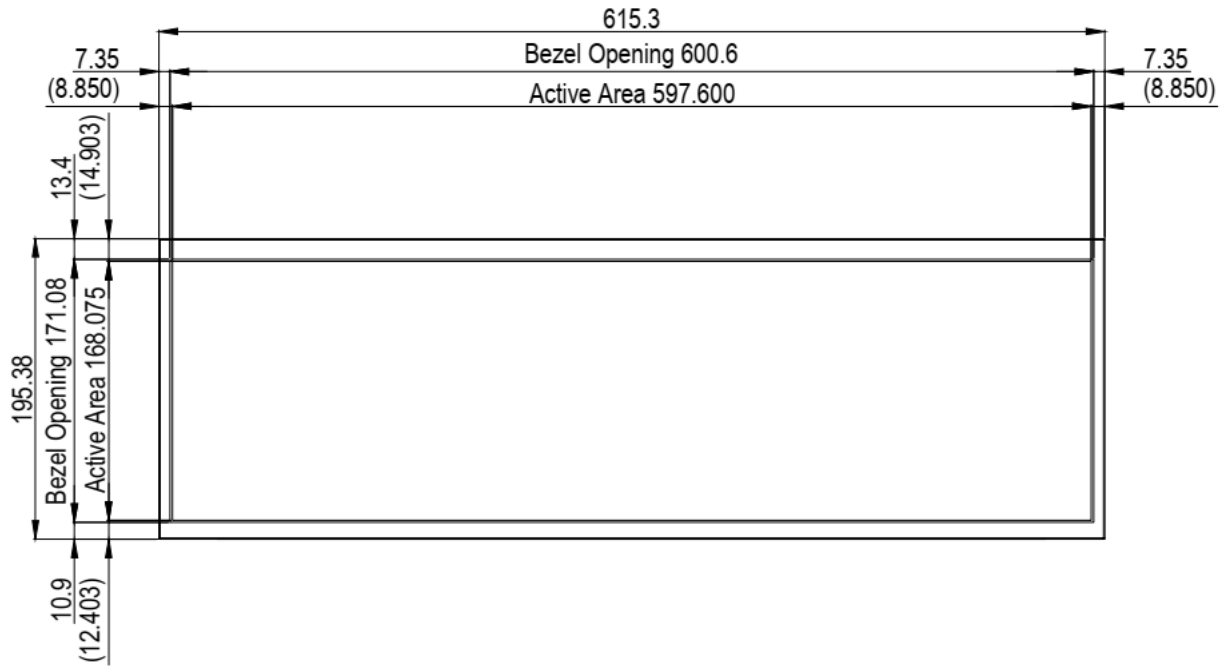
*All brands or product names are trademarks or registered trademarks of their respective companies.*

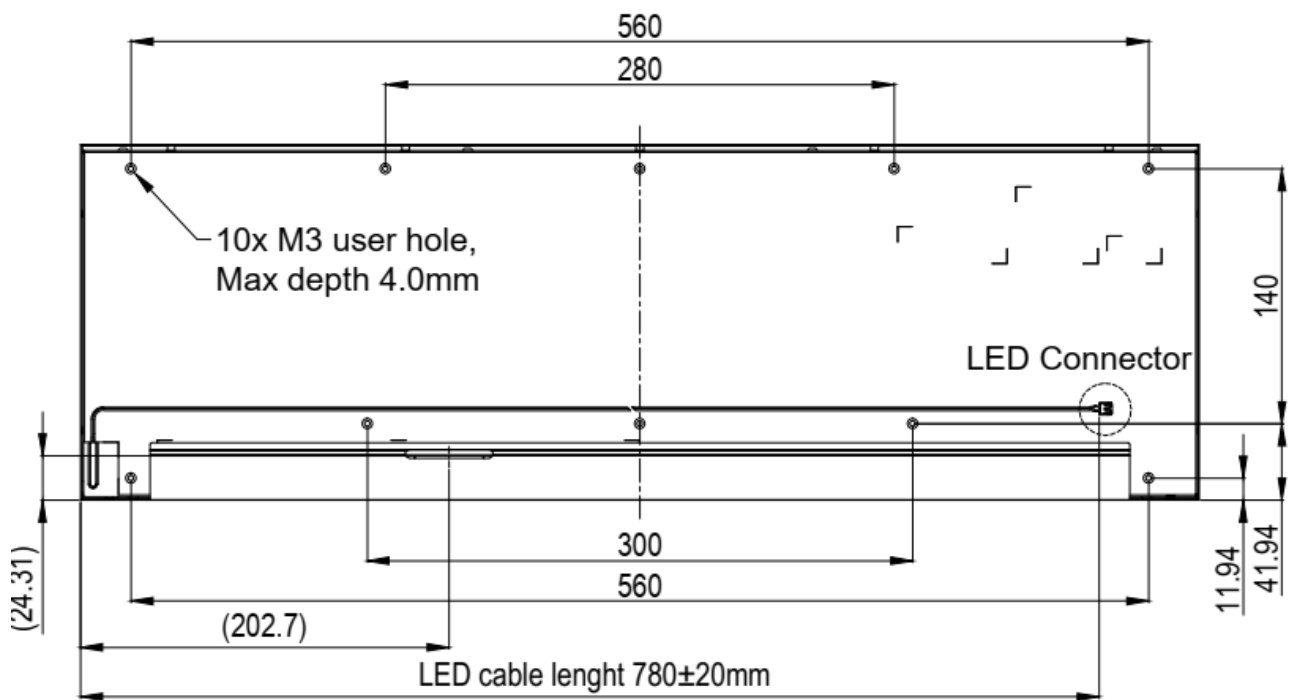
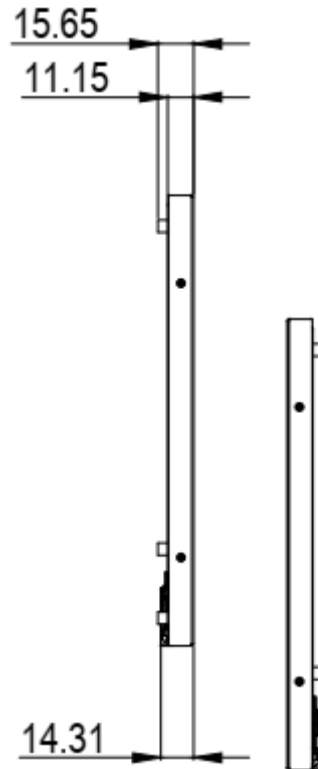


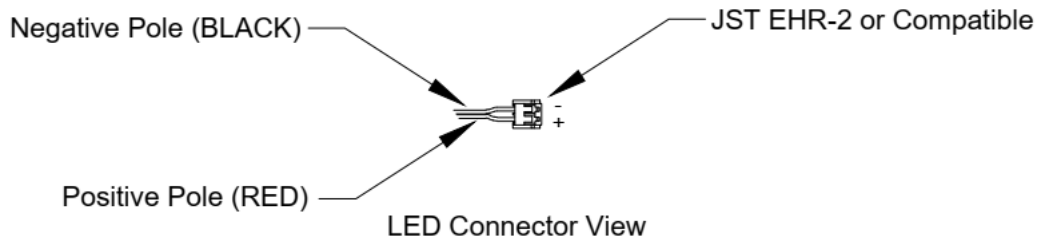
## Mechanical Drawing

### Outline Dimensions

Unit: mm







**Note:**

1. Resolution: 1920x540
2. "( )"marks the reference dimensions
3. Front Case is black paint

**Ordering Information**

Part Number	Description
<b>SSF2445-MNW-A11</b>	24.4",800nits,1920*540,MaxRGB,HVN,LID24C,10in1,V1
<b>SSH2445-MNW-T11</b>	24.4",800nits,1920*540,MaxRGB,HVN,LID24C,AD68862HP,DC12V,10in1,V1

**Optional Accessories**

Part Number	Description
<b>840612051212</b>	ADAPTER,AC/DC,12V/5A,60W,Power-Din-4P,CWT,G99-ABF060F-N022,Efficiency-level-6,R
<b>810618301010</b>	CABLE.POWER.AC.1830mm USA type
<b>810618301090</b>	CABLE,POWER,AC,1830mm Europe type
<b>810618301050</b>	CABLE.POWER.AC.1830mm UK type
<b>810618301170</b>	CABLE.POWER,AC,1830mm Australia type
<b>810618301031</b>	CABLE.POWER.AC.1830mm Japan type

**By Customer Request**

<b>Glass</b>	Tempered glass, AR coating.....
<b>Touch</b>	PCT, SCT, Resistive.....