



SSF/SSH4855-Y V1

48.5" TFT LCD, 1000 nits LED Backlight, 3840x720 ultra wide aspect ratio 16:3

The SSF/SSH4855-Y is a 48.5 inch color TFT-LCD display with special aspect ratio 16:3 and wide resolution 3840 x 720. It is Litemax's Spanpixel series product which designed for high brightness 1000 nits with power efficiency LED backlight. It provides LCD panel with specific aspect ratios and sunlight readable for digital signage, public transportation, exhibition hall, department store, and vending machine.

Key Features

- Ultra Wide Screen 16:3
- High Brightness 1000 nits
- Sunlight Readable
- LED Backlight
- Low Power Consumption
- LCD Blackening Defect Free(Hi-Tni 110 °C)
- BL MTBF: 50,000 hours



Specifications

Model Name	SSF/SSH4855-Y V1
Description	48.5" TFT LCD, 1000nits LED Backlight, 3840x720
Screen Size	48.5"
Display Area (mm)	1209.6(H) x 226.8(V)
Brightness	1000 cd/m ²
Resolution	3840x720
Aspect Ratio	16:3
Contrast Ratio	3500 : 1
Pixel Pitch (mm)	0.315(H) x 0.315 (V)
Pixel Pre Inch (PPI)	81
Viewing Angle	178°(H),178°(V)
Color Saturation (NTSC)	82%
Display Colors	1.07G
Response Time (Typical)	12ms
Panel Interface	V-by-One
Input Interface	HDMIx2, DP
Input Power	DC24V
Power Consumption	54W(57W with AD Board)
OSD Key	5 Keys (Power Switch, Menu, +, -, Exit)
OSD Control	Brightness, Color, Contrast, Auto Turing, H/V Position...etc
Dimensions (mm)	1232.4x 249.6x 25.4
Bezel Size(U/B/L/R)	11.4/11.4/11.4/11.4 mm
Weight (Net)	5.4Kg
Operating Temperature	-20 °C ~ 60 °C
Storage Temperature	-20 °C ~ 60 °C

SSF= Panel + LED Driving Board

SSH= Panel + LED Driving Board + AD Control Board

Specifications are subject to change without notice.

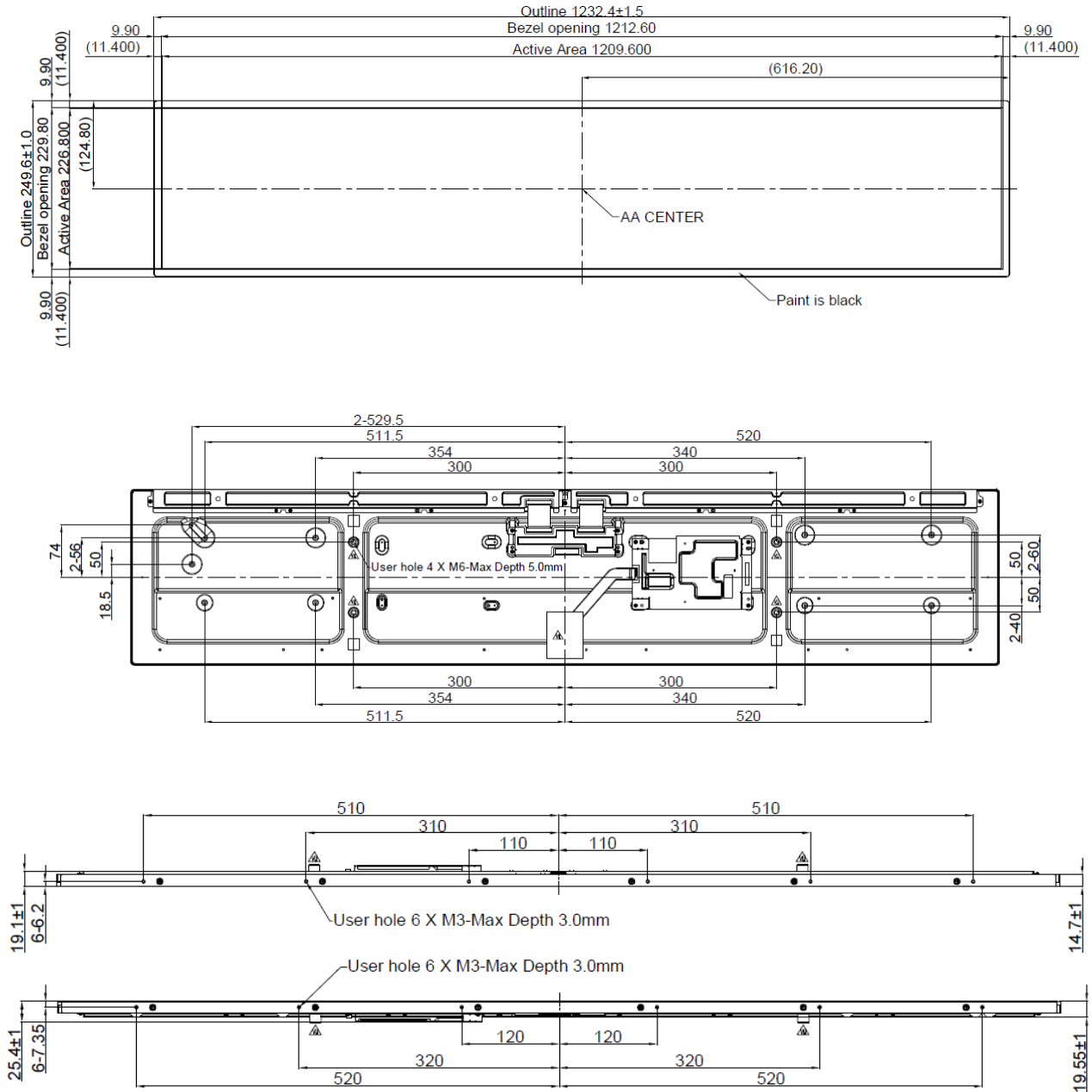
All brands or product names are trademarks or registered trademarks of their respective companies.

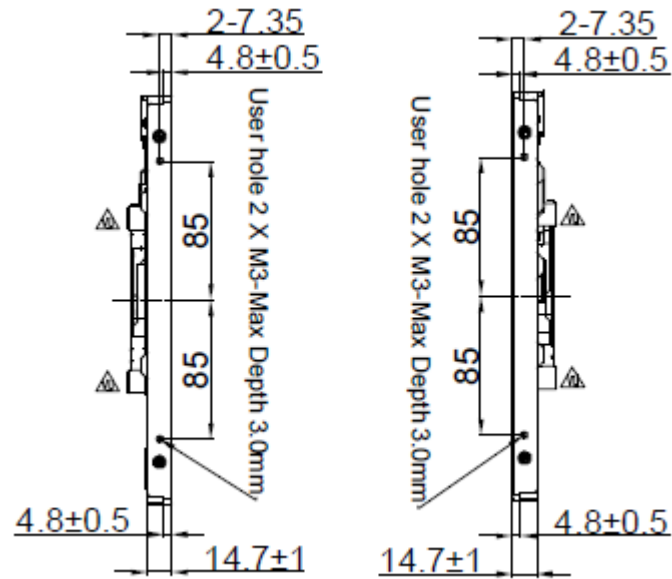


Mechanical Drawing

Outline Dimensions

Unit:mm





Note :

1. Tolerance is ± 0.5 mm unless noted.
- 2."()" marks the reference dimension.
3. Front case is black paint.
4. M3 USER HOLE SCREW TORQUE 5.0 kgf- cm MAX.
5. M6 USER HOLE SCREW TORQUE 16.0 kgf- cm MAX.



Ordering Information

Part Number	Description
SSF4855-YNU-A11	48.5",1000nits,3840x720,HTni,Inn,LID on LCM,2in1,V1
SSH4855-YNU-S11	48.5",1000nits,3840x720,HTni,Inn,LID on LCM,AD68415HHP,DC24V,2in1,V1

Optional Accessories

Part Number	Description
840613081200	ADAPTER,24V/3.75A,90W,G99-AAL090M-N048,Power Din 4P,P
810618301010	CABLE,POWER,AC,1830mm USA type
810618301090	CABLE,POWER,AC,1830mm Europe type
810618301050	CABLE,POWER,AC,1830mm UK type
810618301170	CABLE,POWER,AC,1830mm Australia type
810618301031	CABLE,POWER,AC,1830mm Japan type

Customer request

Touch	SCT (Single-Touch), PCT (Multi-Touch)
Glass	Tempered glass, AR coating.....