



## SSF/SSH1945-BNW

### 19.4" TFT LCD, 1000 nits LED backlight, 1920x536, MaxRGB

The [SSF/SSH1945-BNW](#) is a 19.4 inch industrial grade sunlight readable LCD, with high brightness 1000 nits and high color saturation, it produce sharp images, crisp text and lifelike colors. The Spanpixel LED backlight technology ensures high reliability and low power consumption, suitable for outdoor application, kiosk, factory automation, military, transportation and gaming application.

#### Key Features

- Ultra-Wide Screen (16 : 4.5)
- High Brightness 1000 nits
- High Color Saturation
- Wide viewing angle 178°(H)~ 178°(V)
- Wide temperature (-20°C~+70°C)
- Low Power Consumption
- BL MTBF: 100,000 hours



### Specifications

| Model Name              | SSF/SSH1945-BNW  |
|-------------------------|--|
| Description             | 19.4" LCD, 1000 nits LED backlight, MaxRGB, 1920x536         |
| Screen Size             | 19.4"  |
| Display Area (mm)       | 476.064(H) x 132.901(V)                                      |
| Brightness              | 1000 cd/m <sup>2</sup>                                       |
| Resolution              | 1920x536   |
| Aspect Ratio            | 16 : 4.5   |
| Contrast Ratio          | 1300 : 1   |
| Pixel Pitch (mm)        | 0.248(H) x 0.248(V)  |
| Pixel Per Inch (PPI)    | 102  |
| Viewing Angle           | 178°(H),178°(V)  |
| Color Saturation (NTSC) | 92%  |
| Display Colors          | 16.7M  |
| Response Time (Typical) | 20ms   |
| Panel Interface         | LVDS   |
| Video Interface         | DP   |
| Input Power             | DC12V  |
| Power Consumption       | 22W, (23.9W with AD board)                                   |
| OSD Key                 | 4 Keys (Power Switch, Menu, +, -)                            |
| OSD Control             | Brightness, Color, Contrast, Auto Turing, H/V Position...etc |
| Dimensions (mm)         | 497x 149.8 x 13.31   |
| Bezel Size(U/B/L/R)     | 11/5.719/10.468/10.468                                       |
| Weight (Net)            | 0.92kg   |
| Operating Temperature   | -20 °C ~ 70 °C   |
| Storage Temperature     | -30 °C ~ 80 °C   |

[SSF](#)= Panel + LED Driving Board

[SSH](#)= Panel + LED Driving Board + AD Control Board

*Specifications are subject to change without notice.*

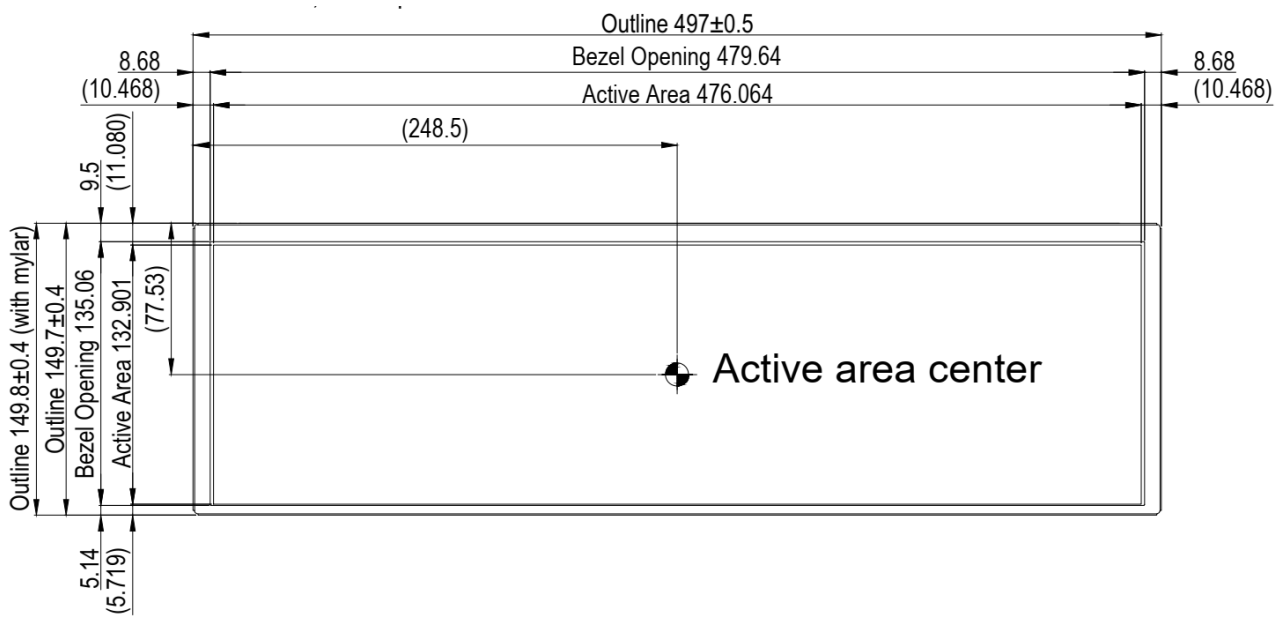
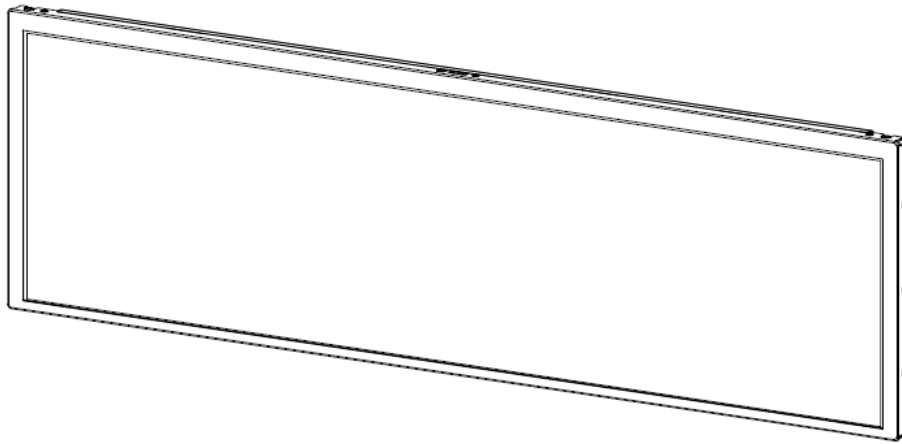
*All brands or product names are trademarks or registered trademarks of their respective companies.*

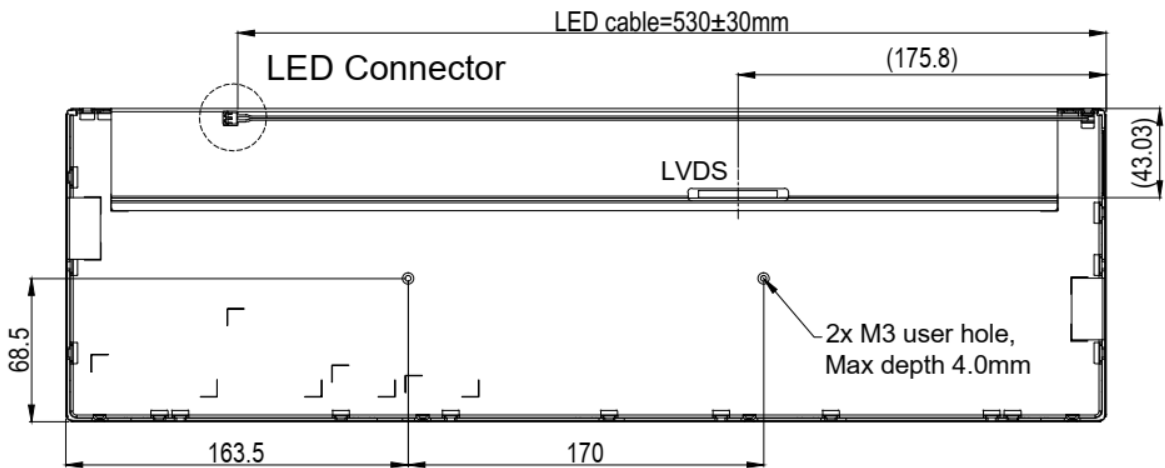
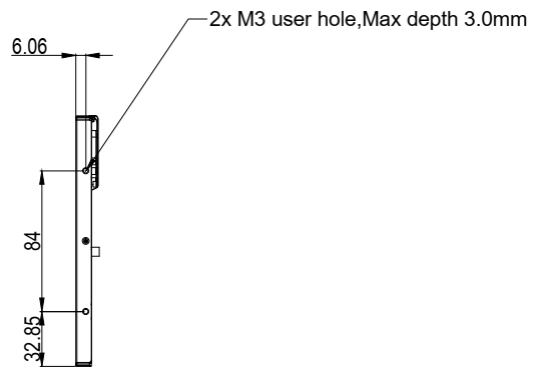
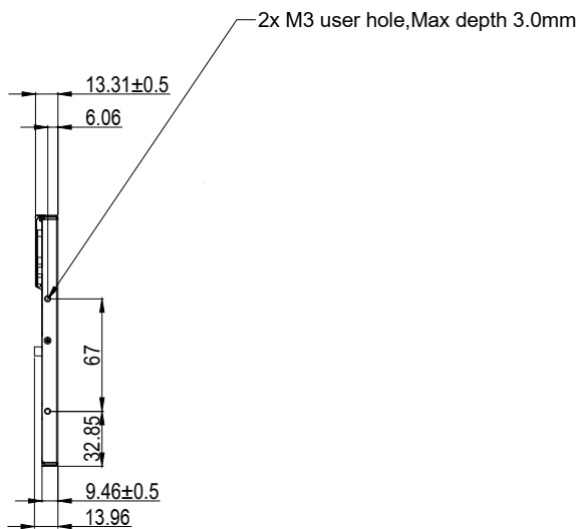
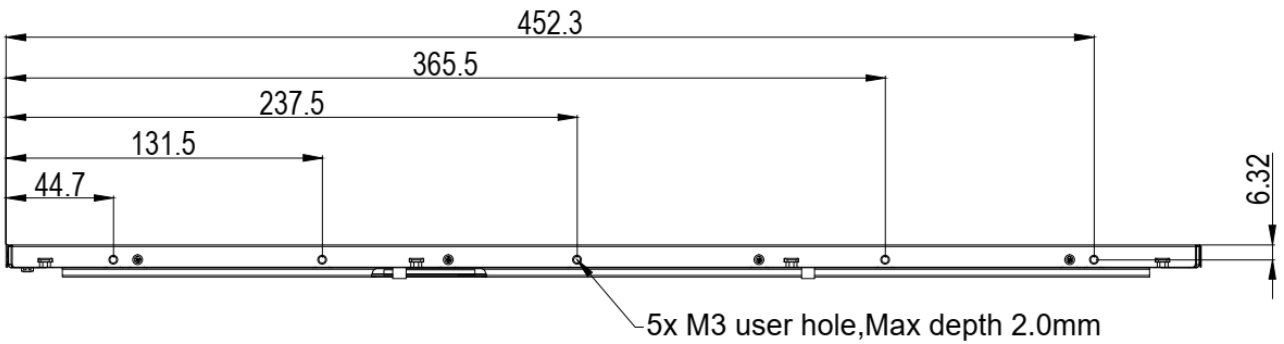
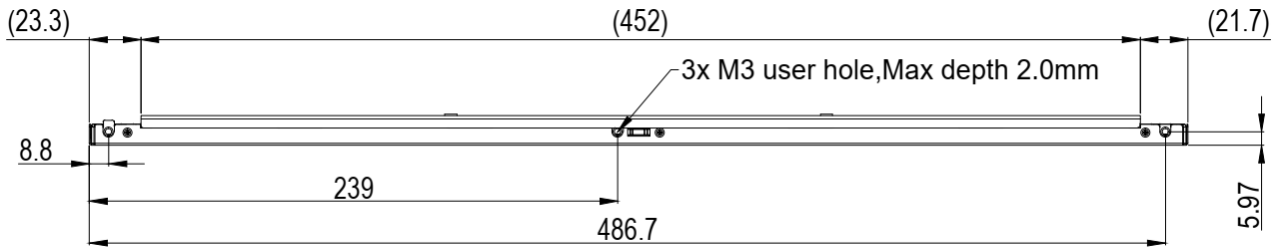


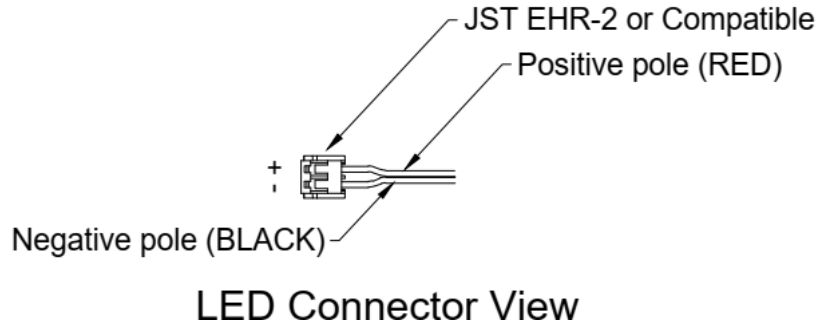
## Mechanical Drawing

### Outline Dimensions

Unit:mm







**Note:**

1. Resolution: 1920x536
2. Tolerance is  $\pm 0.5\text{mm}$  unless noted
3. "( )"marks the reference dimensions

**Ordering Information**

| Part Number     | Description   |
|-----------------|---|
| SSF1945-BNW-A11 | 19.4",1000nits,1920*536,T2070,MaxRGB,LID19C,10in1,V1              |
| SSH1945-BNW-Q11 | 19.4",1000nits,1920*536,T2070,MaxRGB,AD8891P w/LID,DC12V,10in1,V1 |
|                 |   |

**Optional Accessories**

| Part Number  | Description   |
|--------------|---|
| 840612051104 | ADAPTER.12V.5A.60W.G99-CAD060F-N001,DC Plug,2.1*5.5mm,P     |
| 800400603001 | CABLE,POWER,DC,200mm,UL1185.MOLEX 4.2mm 4P TO DC JACK,ATI,R |
| 810618301010 | CABLE.POWER.AC.1830mm USA type                              |
| 810618301090 | CABLE,POWER,AC,1830mm Europe type                           |
| 810618301050 | CABLE.POWER.AC.1830mm UK type                               |
| 810618301170 | CABLE.POWER,AC,1830mm Australia type                        |
| 810618301031 | CABLE.POWER.AC.1830mm Japan type                            |
|              |   |

**Customer request**

|       |                                 |
|-------|---------------------------------|
| Touch | PCT (Multi-Touch)               |
| Glass | Tempered glass, AR coating..... |